

ASSEMBLY INSTRUCTIONS

Simple Scallop Pendant

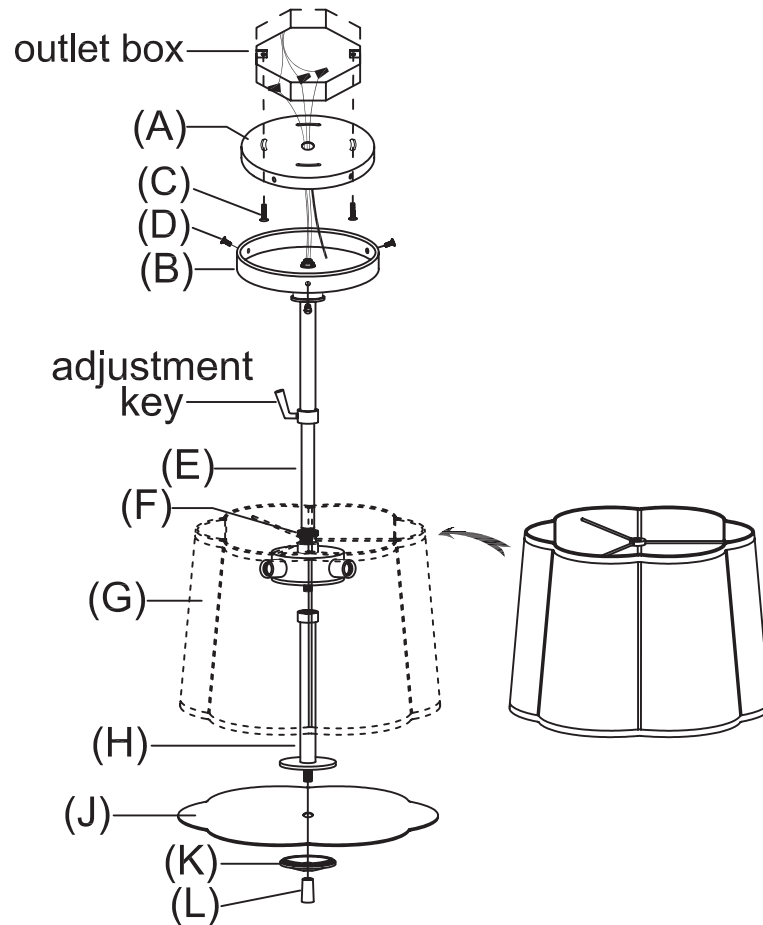
Item # BBL5016

WE RECOMMEND INSTALLATION OF THIS LIGHTING FIXTURE BE DONE BY A LICENSED ELECTRICIAN.

WARNING * SWITCH OFF THE MAIN ELECTRICAL SUPPLY FROM THE MAIN FUSE BOX/CIRCUIT BREAKER BEFORE INSTALLATION.**

INSPECT ITEM CAREFULLY BEFORE ATTEMPTING TO INSTALL. IF THERE IS ANY DAMAGE OR OBVIOUS DEFECT, DO NOT INSTALL.

ITEM MAY NOT BE RETURNED ONCE IT HAS BEEN INSTALLED.



1. Attach ground fixture wire (silver or copper in color) to ground wire from wall outlet box (usually green or copper in color), fasten together with a plastic wire connector. Tightly wrap the wire connector with electrical tape so the end of the connector is sealed.
IT IS IMPERATIVE THAT THE OUTLET BOX IN YOUR HOME BE PROPERLY GROUNDED.
2. Connect neutral (ridges molded) fixture wire coming from fixture base to neutral (usually white) outlet wire. Fasten both wires together with a plastic wire connector and tightly wrap the wire connector with electrical tape.
3. Repeat the procedure with the hot (smooth covering) wires. Always make sure that no wire strands are left outside the connectors.
DO NOT REVERSE THE HOT AND NEUTRAL CONNECTIONS OR SAFETY WILL BE COMPROMISED.
4. To detach back plate (A) from light fixture by unscrewing base screws (D).
5. Position back plate (A) diagonally so that the holes of back plate (A) and ceiling outlet box are aligned.
6. Tighten the mounting plate onto the ceiling outlet with mounting screws (C).
7. Gently push the fixture base (B) onto the affixed back plate (A), and secure with base screws (D).
8. Attach shade (G) to stem (E), slide shade spider on threaded section under washer (F). And secure by turning washer (F) in clockwise direction.
9. Screw rod (H) on bottom threaded nipple of part (E).
10. Insert light bulbs (not included) into sockets.

ASSEMBLY INSTRUCTIONS

Simple Scallop Pendant

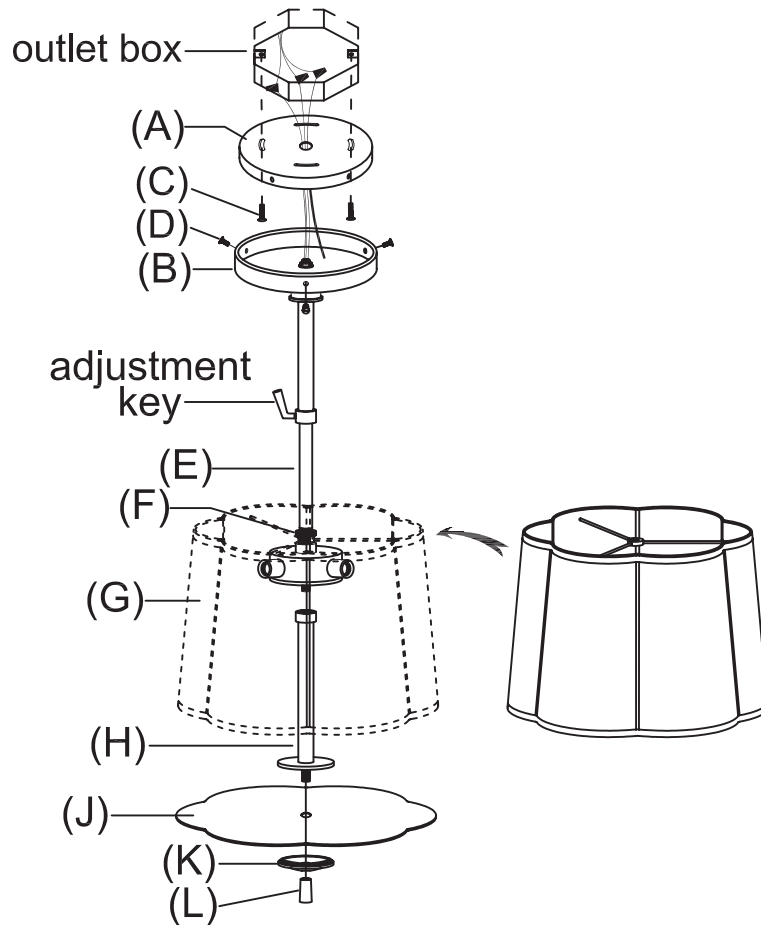
Item # BBL5016

WE RECOMMEND INSTALLATION OF THIS LIGHTING FIXTURE BE DONE BY A LICENSED ELECTRICIAN.

WARNING * SWITCH OFF THE MAIN ELECTRICAL SUPPLY FROM THE MAIN FUSE BOX/CIRCUIT BREAKER BEFORE INSTALLATION.**

INSPECT ITEM CAREFULLY BEFORE ATTEMPTING TO INSTALL. IF THERE IS ANY DAMAGE OR OBVIOUS DEFECT, DO NOT INSTALL.

ITEM MAY NOT BE RETURNED ONCE IT HAS BEEN INSTALLED.



11. Remove finial (L) & washer (K) from rod (H), attach shade diffuser (J) over bottom threaded section of rod (H), and secure with washer (K) & finial (L).
12. ADJUSTMENT INSTRUCTIONS:
Loosen adjustment key found on stem.
Adjust pendant to desired height.
Tighten the adjustment key.