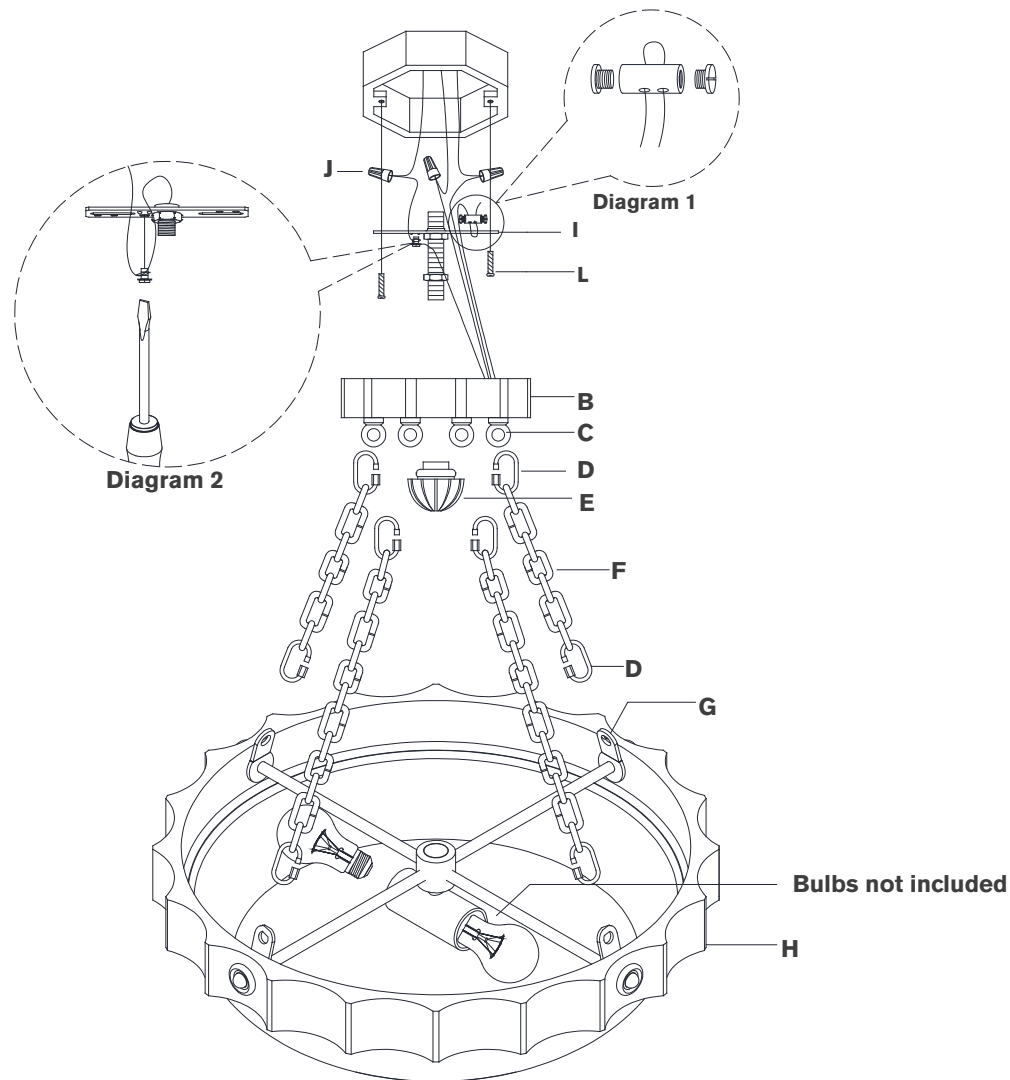


## ASSEMBLY INSTRUCTIONS



## Fluted Band Medium Chandelier

Item # CHC 2149

### NOTICE:

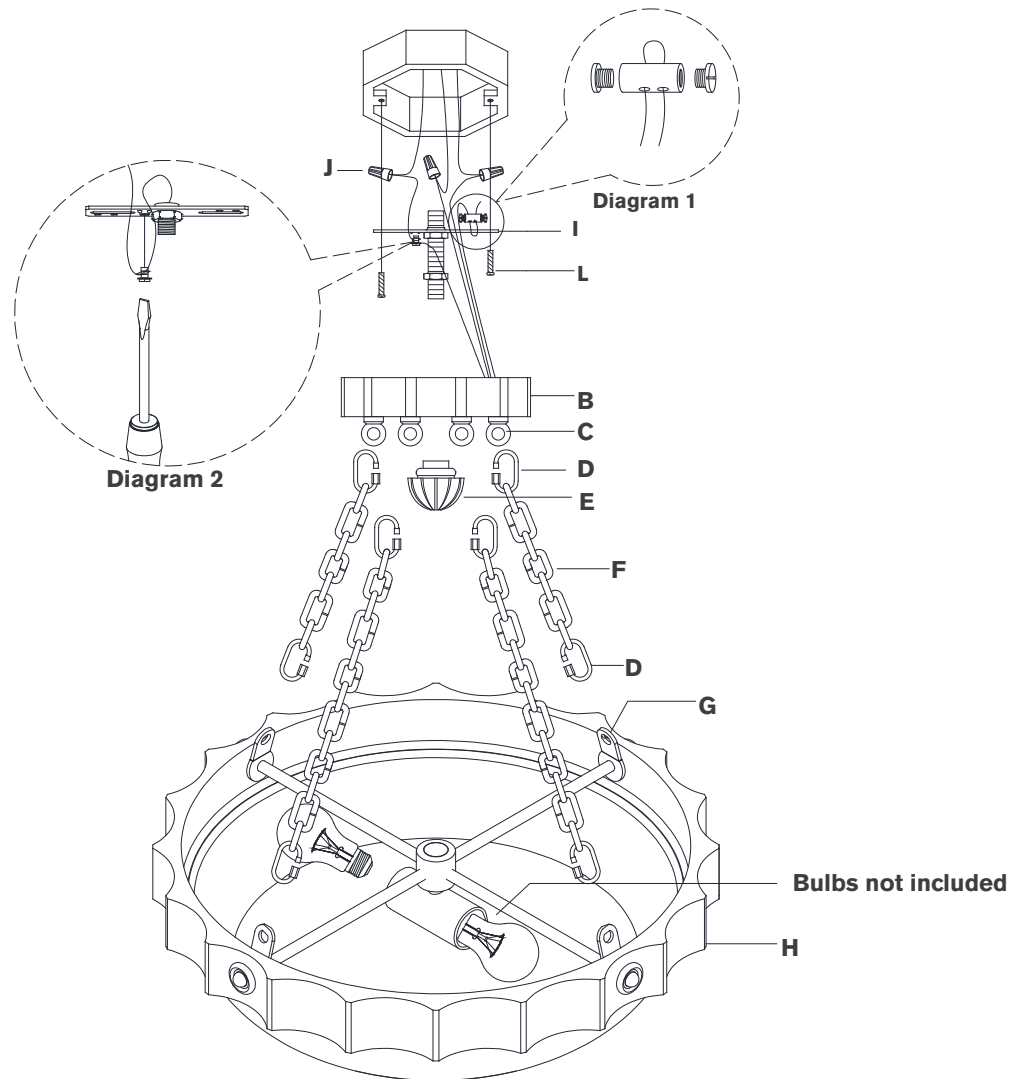
This light fixture should be installed in accordance with all applicable, local installation codes, and by a person familiar with the construction and operation of it, as well as the hazards involved. Inspect item and contents carefully. If any damage or defect is found, do not install. Retain all packaging material until installation is complete and approved.

### TOOLS REQUIRED (NOT INCLUDED):

Phillips Screwdriver      Slotted Screwdriver      Wire Strippers  
Slip Joint Pliers      Wire Cutters

1. Carefully remove all parts from the box. Place on a clean, soft surface.
2. Remove mounting plate **(I)** from canopy **(B)** by removing finial **(E)**.
3. Install mounting plate **(I)** to junction box and secure with mounting screws **(L)**.
4. Attach chain **(F)** to hooks **(C)** and to hooks **(G)** using quick links **(D)**.
5. Thread fixture wire and ground wire through chains **(F)** and canopy **(B)**.  
**NOTE:** When you reach the mounting plate **(I)**, ensure there is no tension on the wires. Cut excess wires, being sure to leave about **12"** to reach the junction box.
6. Separate two sides of molded wire, and strip insulation on each 5/8".
7. Supporting fixture properly, run support cable through hole on back of mounting plate **(I)**. Loosen cable lock and install to end of support cable. Run cable through other end of cable lock and tighten ends with a screwdriver to secure. (see diagram 1)
8. Wrap fixture ground wire (bare copper) around the green grounding screw (see diagram 2). Tighten. Continue fixture ground wire and connect to supply ground wire (usually green or bare copper) using wire nut **(J)**.  
**NOTE:** It is imperative that the fixture is grounded.

## ASSEMBLY INSTRUCTIONS



## Fluted Band Medium Chandelier

Item # CHC 2149

### NOTICE:

This light fixture should be installed in accordance with all applicable, local installation codes, and by a person familiar with the construction and operation of it, as well as the hazards involved. Inspect item and contents carefully. If any damage or defect is found, do not install. Retain all packaging material until installation is complete and approved.

9. Connect fixture neutral wire (white) to the supply neutral wire (usually white) using wire nut **(J)**.
10. Connect fixture hot wire (black) to the supply hot wire (usually black) using wire nut **(J)**.

**CAUTION:** Do not reverse the hot and neutral connections.

11. Make sure all wire connections are tight, then carefully tuck into the junction box.
  12. Install fixture to mounting plate **(I)** by slipping canopy **(B)** hole over threaded receiver and securing with finial **(E)**.
- NOTE:** If needed, adjust threaded receiver on mounting plate up or down to expose proper amount of threading to secure finial.
13. Install light bulbs into the sockets.

**Care Instructions:** Clean only with a soft dry cloth or feather duster. Do not use abrasive or chemical agents.