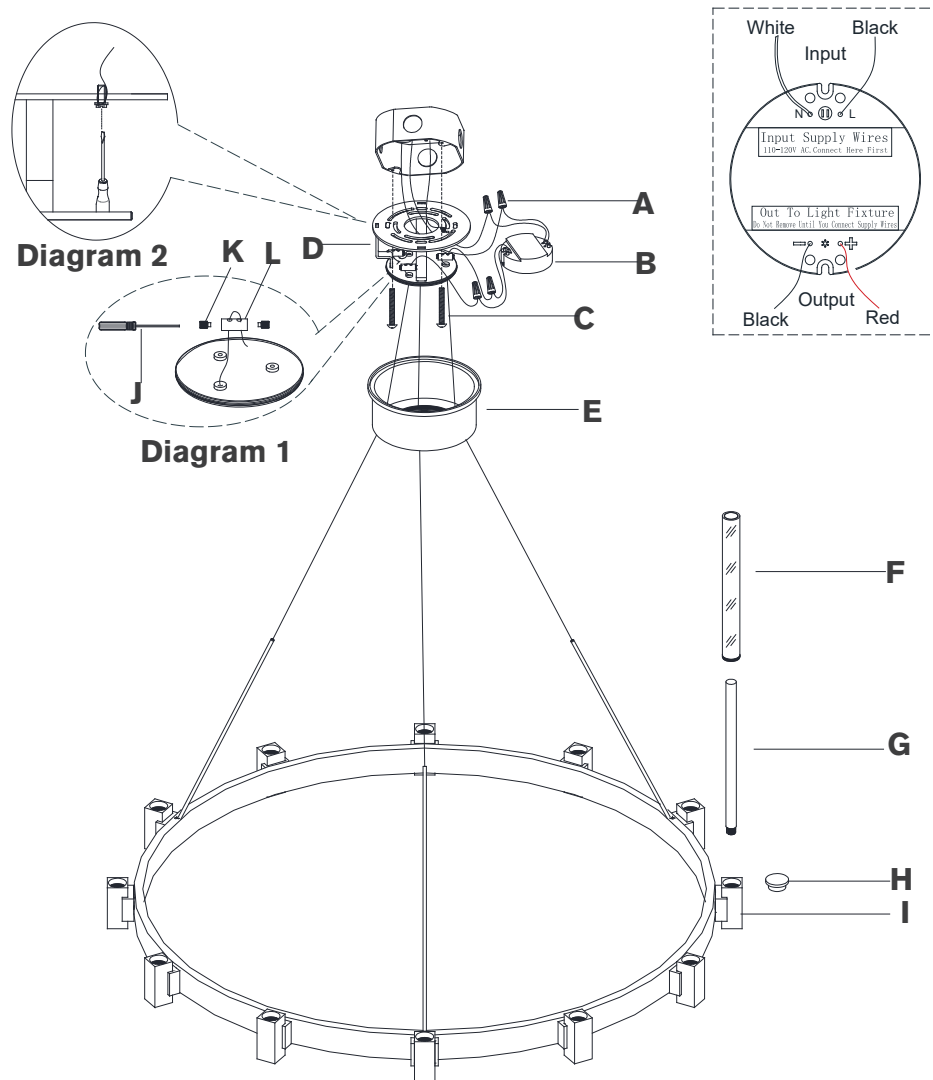


ASSEMBLY INSTRUCTIONS



Mafra Large Chandelier

Item # IKF 5360

NOTICE:

This light fixture should be installed in accordance with all applicable, local installation codes, and by a person familiar with the construction and operation of it, as well as the hazards involved. Inspect item and contents carefully. If any damage or defect is found, do not install. Retain all packaging material until installation is complete and approved.

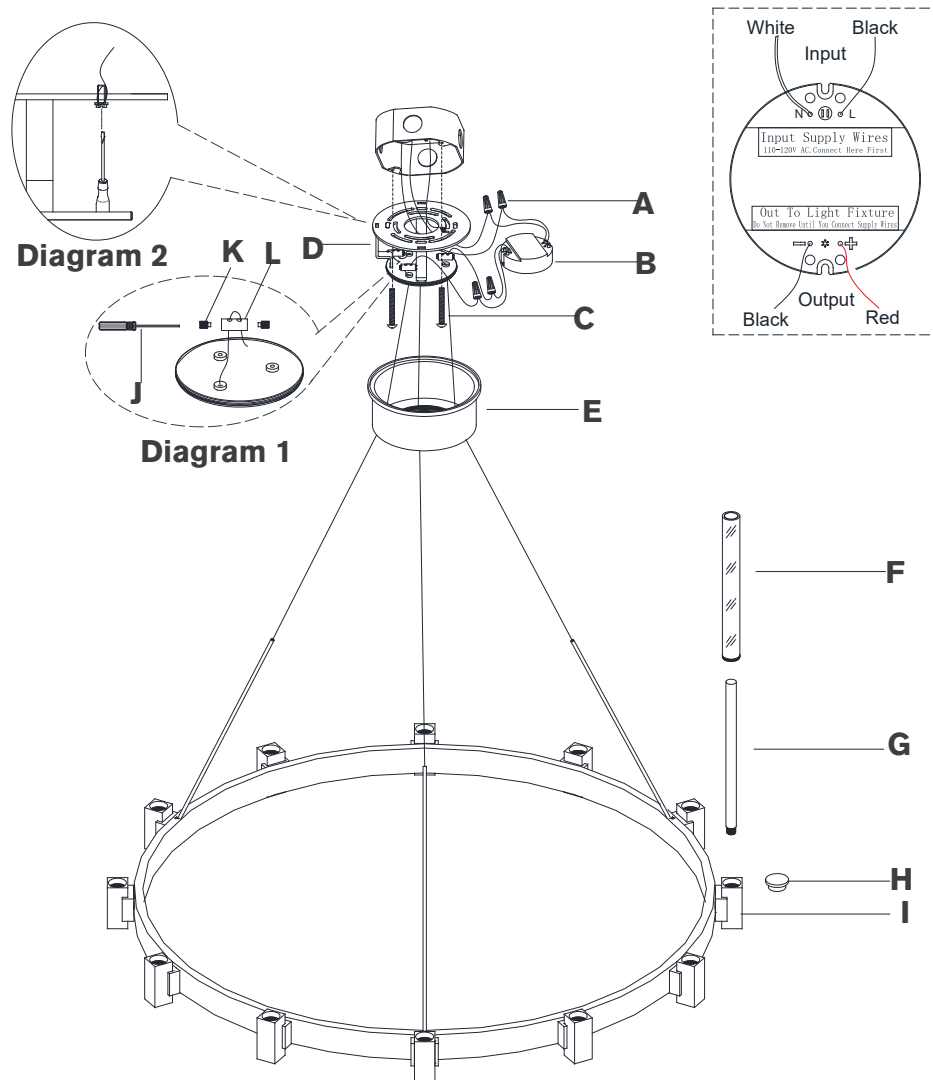
TOOLS REQUIRED (NOT INCLUDED):

Phillips Screwdriver Slotted Screwdriver Measuring Tape
Wire Cutters Wire Strippers

PERSONS REQUIRED: Two

1. Carefully remove all parts from the box. Place on a clean, soft surface.
2. Remove mounting plate (D) from canopy (E) by unscrewing.
3. Install mounting plate (D) to junction box and secure with mounting screws (C).
NOTE: It is recommended to have a helper assist in supporting the fixture for steps 4-5.
4. Feed hanging cables through canopy (E), then insert through holes on bottom of mounting plate (D).
5. Install cable locks (L) to end of hanging cables. Insert hanging cable through other end of locks and tighten ends (K) with screwdriver (J) to secure. See diagram 1.
6. Adjust hanging cables to desired height and level fixture.
NOTE: Double check height and ensure fixture is level before moving to next step.
7. Cut excess wires, being sure to leave enough to reach the junction box. Separate fixture wires (marked "+" & "-") and strip insulation on each 5/8".

ASSEMBLY INSTRUCTIONS



Mafra Large Chandelier

Item # IKF 5360

NOTICE:

This light fixture should be installed in accordance with all applicable, local installation codes, and by a person familiar with the construction and operation of it, as well as the hazards involved. Inspect item and contents carefully. If any damage or defect is found, do not install. Retain all packaging material until installation is complete and approved.

8. Connect driver **(B)** output neutral wire (black) to the fixture neutral wire (marked “-”) using wire nut **(A)**.
9. Connect driver **(B)** output hot wire (red) to the fixture hot wire (marked “+”) using wire nut **(A)**.
CAUTION: Do not reverse the hot and neutral connections.
10. Connect supply ground wire (usually green or bare copper) around the green grounding screw (see diagram 2). Tighten.
NOTE: It is imperative that the fixture is grounded.
11. Connect driver **(B)** input neutral wire (white) to the supply neutral wire (usually white) using wire nut **(A)**.
12. Connect driver **(B)** input hot wire (black) to the supply hot wire (usually black) using wire nut **(A)**.
CAUTION: Do not reverse the hot and neutral connections.
13. Make sure all wire connections are tight, then carefully tuck into the junction box.
14. Install driver **(B)** into mounting plate bracket **(D)**.
15. Thread canopy **(E)** to mounting plate **(D)**.
16. Remove protective covers **(H)** from sockets.
17. Install LED bulbs **(G)** to sockets.
NOTE: All LED Must be installed before testing or restoring power to avoid malfunction.
18. Thread shades **(F)** to fixture body **(I)**.
NOTE: Do not overtighten otherwise shade could become damaged.

Care Instructions: Clean only with a soft dry cloth or feather duster. Do not use abrasive or chemical agents.