

## ASSEMBLY INSTRUCTIONS

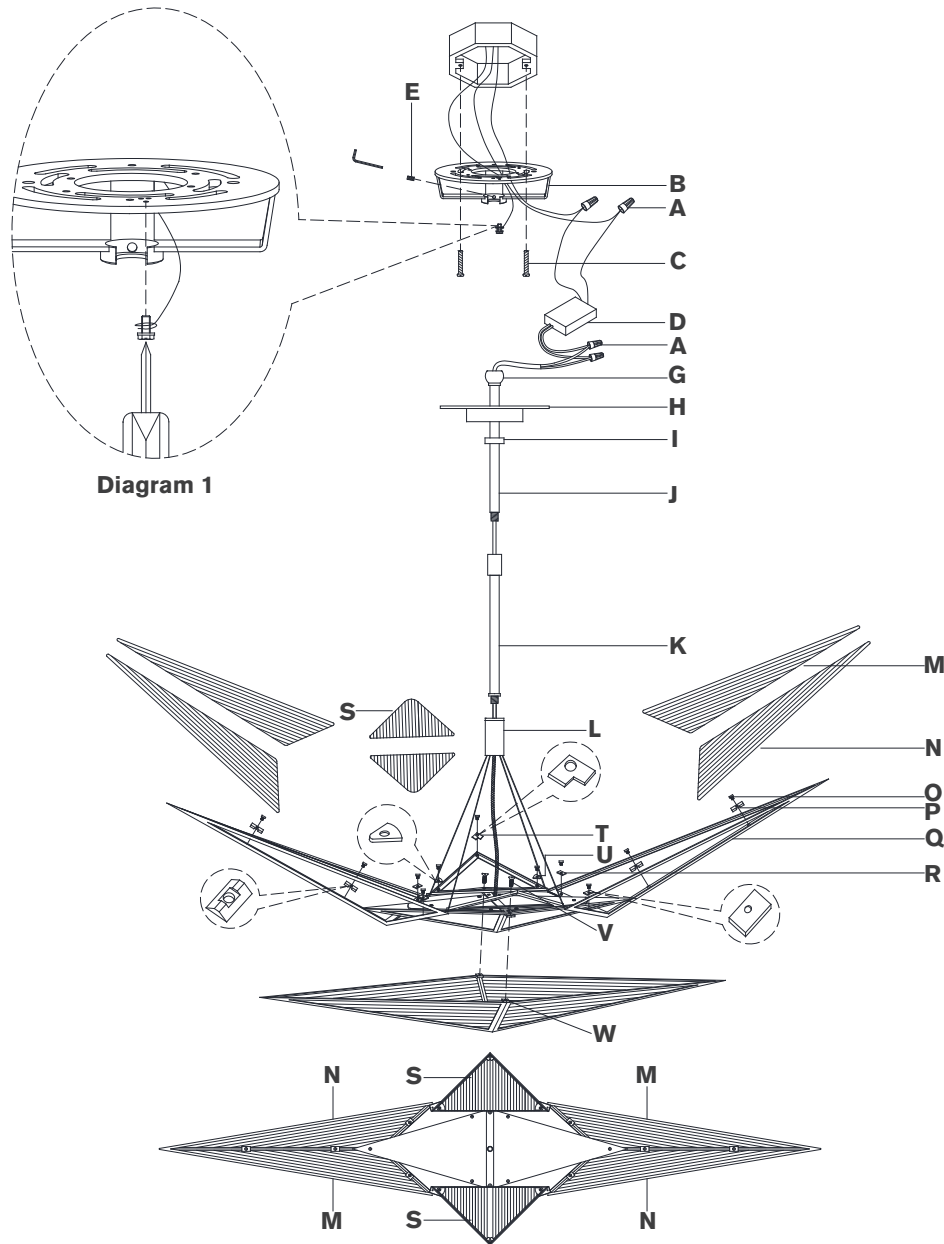


Diagram 1

## Ori Medium Linear Chandelier

Item # KW 5650

### NOTICE:

This light fixture should be installed in accordance with all applicable, local installation codes, and by a person familiar with the construction and operation of it, as well as the hazards involved. Inspect item and contents carefully. If any damage or defect is found, do not install. Retain all packaging material until installation is complete and approved.

### TOOLS REQUIRED (NOT INCLUDED):

Phillips Screwdriver      Slotted Screwdriver      Wire Strippers  
Wire Cutters

- Carefully remove all parts from the box. Place on a clean, soft surface.
- Install bottom frame (**W**) to fixture (**Q**) by securing with screws (**V**).
- Install glass panels (**S**) to fixture (**Q**) and secure with washer (**T & U**) and screws (**O**).
- Install glass panels (**M & N**) to fixture (**Q**) and secure with washer (**P & R**) and screws (**O**).
- Remove mounting plate (**B**) from canopy (**H**) by removing collar ring (**I**).
- Install mounting plate (**B**) to junction box and secure with mounting screws (**C**).
- Feed fixture wire and ground wire through bottom rod (**K**) and connect to hub (**L**).
- Continue feeding wires through collar ring (**I**), canopy (**H**) and top rod (**J**).
- Holding fixture upright, slide collar ring (**I**) and canopy (**H**) down bottom rod (**K**) and rest on fixture body. then connect top rod (**J**) to bottom rod (**K**).
- NOTE:** Slide components down slowly to avoid damages.
- Hang fixture to center of mounting plate (**B**) and secure screw (**E**) with provided wrench.
- Cut excess wires, being sure to leave length to reach the junction box.

**NOTE:** Separate black and red wires, and strip insulation on each 5/8".

## ASSEMBLY INSTRUCTIONS

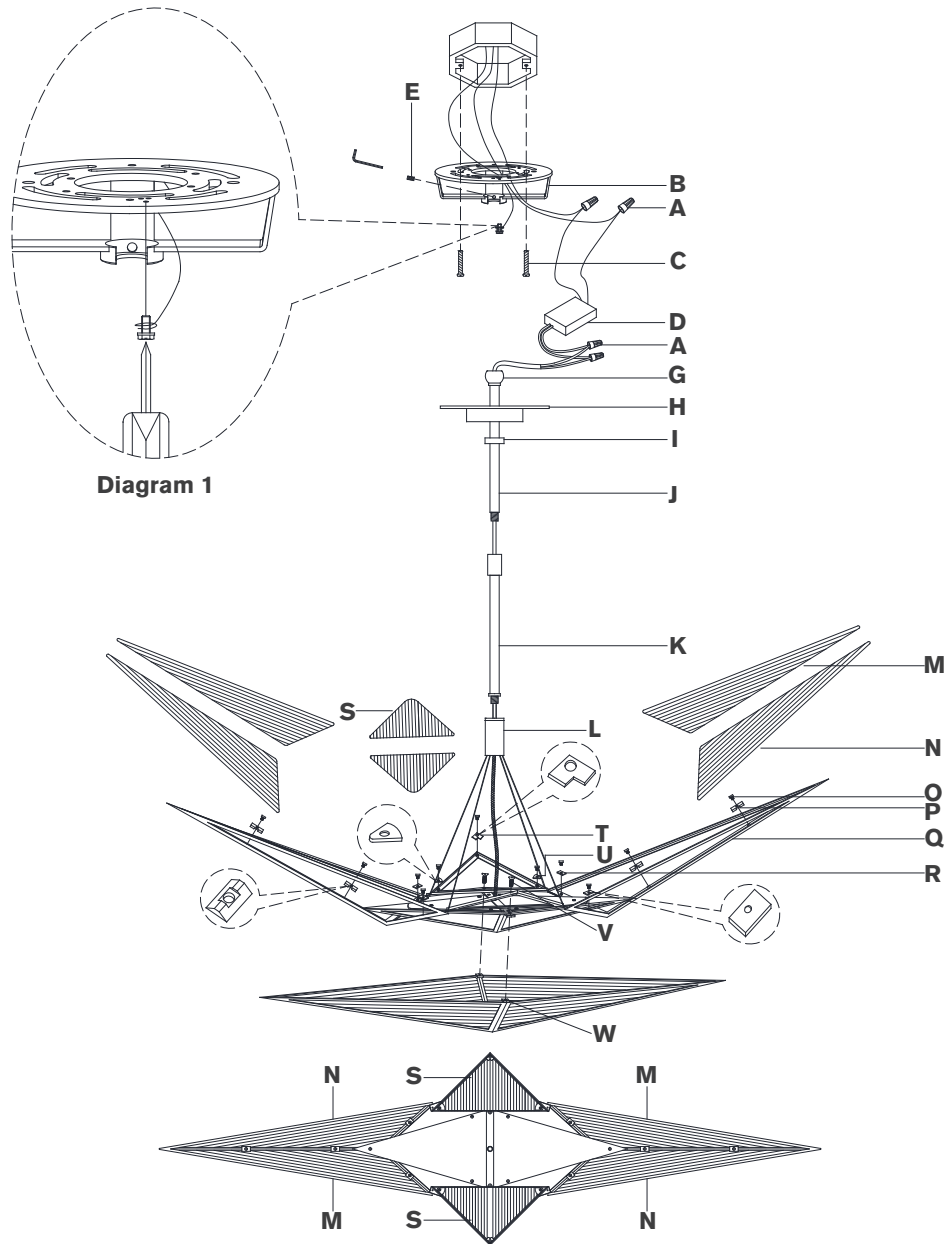


Diagram 1

## Ori Medium Linear Chandelier

Item # KW 5650

### NOTICE:

This light fixture should be installed in accordance with all applicable, local installation codes, and by a person familiar with the construction and operation of it, as well as the hazards involved. Inspect item and contents carefully. If any damage or defect is found, do not install. Retain all packaging material until installation is complete and approved.

12. Connect supply ground wire (usually green or bare copper) around the green grounding screw (see diagram 1). Tighten.  
**NOTE:** It is imperative that the fixture is grounded.
13. Connect driver input neutral wire (white) to the supply neutral wire (usually white) using wire nut **(A)**.
14. Connect driver input hot wire (black) to the supply hot wire (usually black) using the wire nut **(A)**.  
**CAUTION:** Do not reverse the hot and neutral connections.
15. Connect fixture neutral wire (black) to the driver output neutral wire (black) using wire nut **(A)**.
16. Connect fixture hot wire (red) to the driver output hot wire (red) using wire nut **(A)**.  
**CAUTION:** Do not reverse the hot and neutral connections.
17. Make sure all wire connections are tight, then carefully tuck into the junction box.
18. Insert driver **(D)** into the mounting plate bracket.
19. Install canopy **(H)** to mounting plate **(B)** by securing with collar ring **(I)**.

**Care Instructions:** Clean only with a soft dry cloth or feather duster. Do not use abrasive or chemical agents.