

SPEC SHEET

Bryant Large Wrapped Table Lamp

Item # TOB 3581PN/NAT-L

Designer: Thomas O'Brien

Height: 27.5" - 31.5"

Width: 12"

Base: 8" Round

Finishes: BZ/SDL, HAB/CHC, PN/NAT

Shade Treatments: L

Shade Details: 11" x 12" x 12"

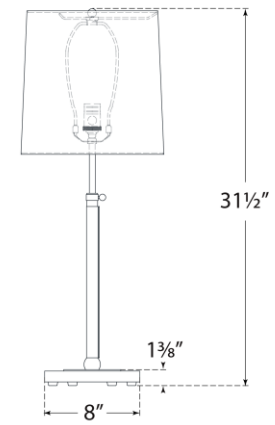
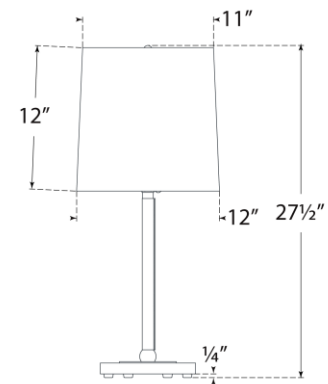
Socket: E26 Dimmer

Wattage: 15 LED A19

Weight: 10 Pounds



Top View



Front View