

TEAR SHEET

Quintel Large Adjustable Table Lamp

Item # TOB 3723HAB-L

Designer: Thomas O'Brien

Height: 30.75" - 35.75"

Width: 13"

Base: 10.75" X-Base

Finishes: HAB, PN

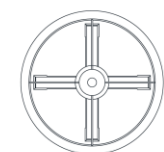
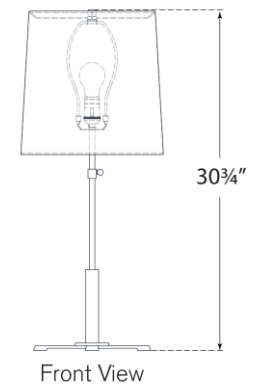
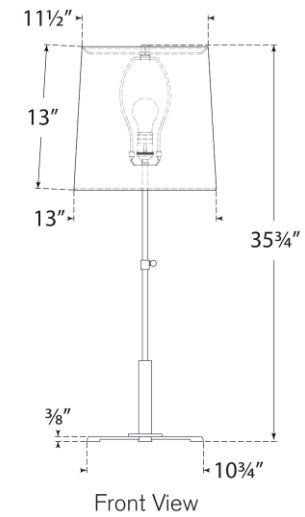
Shade Treatments: L

Shade Details: 11.5" x 13" x 13"

Socket: E26 Dimmer

Wattage: 15 LED A19

Weight: 7 Pounds



Top View