

# C69201

## INSTALLATION INSTRUCTIONS SHEET

### START FROM HERE

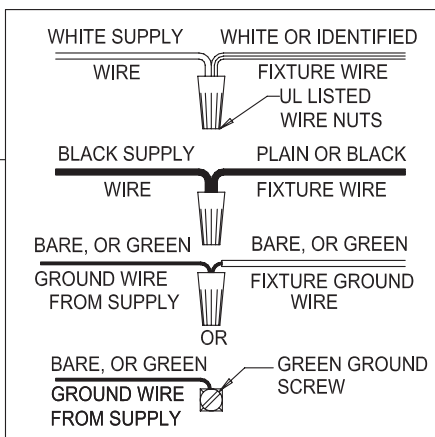
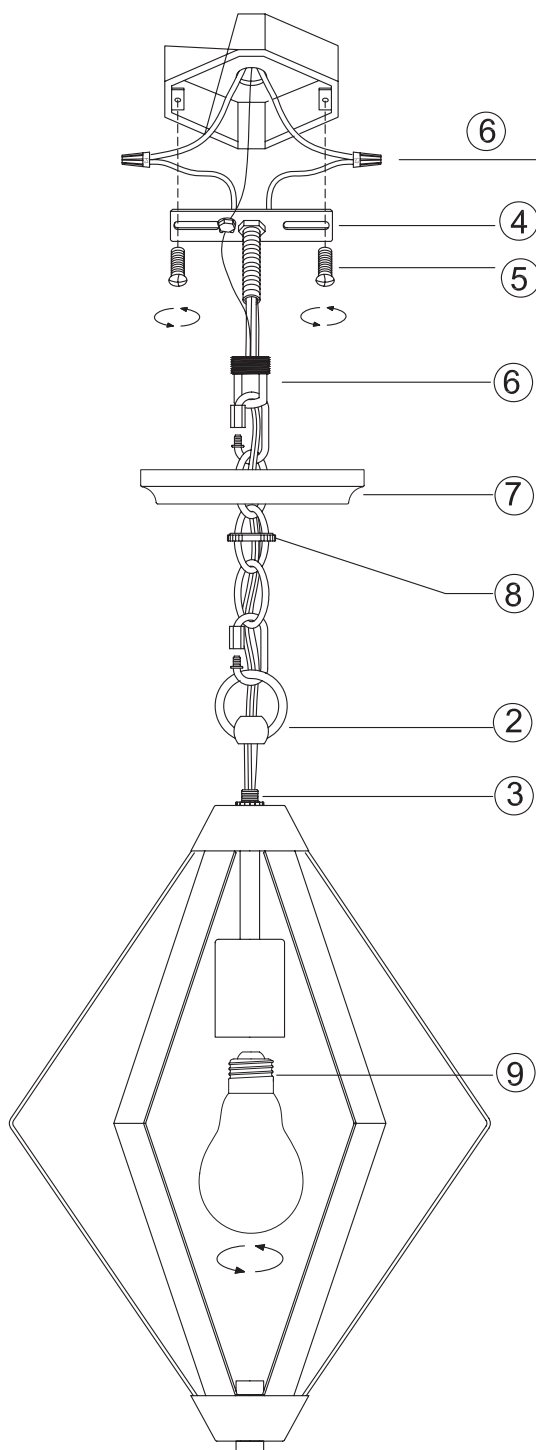
- Make sure power is completely off at the fuse box.
- Have your fixture installed by a qualified licensed electrician
- Prepare everything in clear area.
- Wear gloves at all times during this installation.
- Read instructions carefully before you start assembly.
- Keep this instruction sheet for future reference.

**Technical Support:** 1-844-628-8368

### Please Note:

- All Matteo Lighting fixtures come with pre-wired module(s).
- Unless instructed to do so, please do not touch any part of the module(s) as any unnecessary contact with the module could cause permanent damage.

THIS LUMINAIRE MUST BE MOUNTED OR SUPPORTED IN A JUNCTION BOX  
 CE LUMINAIRE DOIT ÊTRE MONTÉ OU SUPPORTÉ DANS UNE BOÎTE  
 DE JONCTION



- 1 Ensure main supply is switched off.
- 2 Lock the loop(2) to the nipple(3) tightly.
- 3 Install screws(5) through the mounting bracket(4), lock to the ceiling.
- 4 Connect wires according to color (White to White, Black to Black). Connect all earth plug together onto the crossbar with green screw to tight.
- 5 Clear wires, push the canopy(7) to the ceiling, lock the ring(8) on the collar(6) to attach the canopy tightly to the ceiling.
- 6 Install blub(9) firmly into lampholders (bulbs not provided).
- 7 Reconnect power.