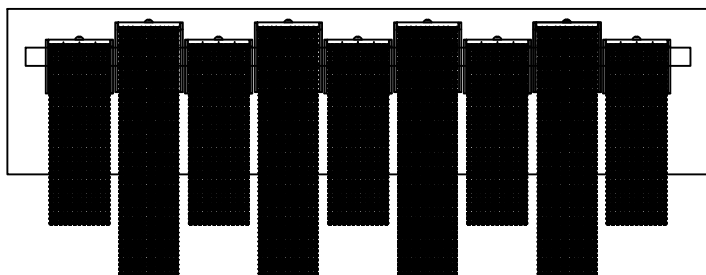


Trade Mark:
CRYSTAL WORLD INC



Product Name: Wall lamp
Model :5615W21C
120Vac, 60Hz,AC ONLY
Lamp Size:W24"*H9"*E7"

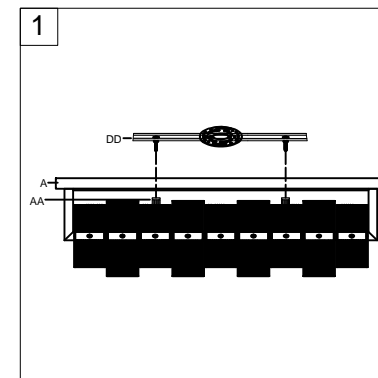



WALL LAMP ASSEMBLY INSTRUCTIONS

- 1.Place fixture(A)onto mounting screws (DD).Secure with cap nuts (AA).

Hardware Used

- DD Mounting screw 
AA Cap nut 



- 2.Install bulbs (NOT INCLUDED).
USE
120V G9  4*40W Max.

