

# CWI LIGHTING

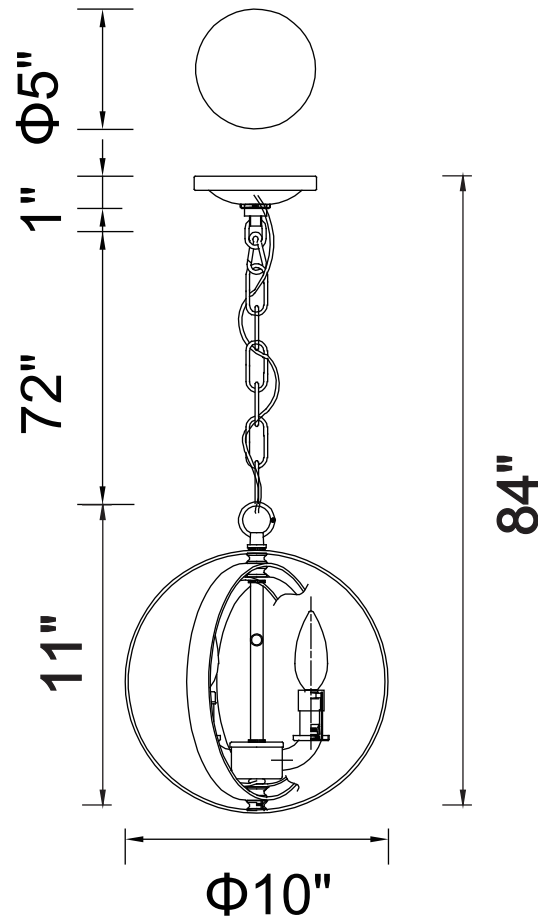
BRIGHTER LIVING. SIMPLIFIED.

PROJECT: \_\_\_\_\_

FIXTURE TYPE: \_\_\_\_\_

LOCATION: \_\_\_\_\_

CONTACT/PHONE: \_\_\_\_\_



|            |                 |
|------------|-----------------|
| Item       | 9811P10-3-613   |
| Collection | DELROY          |
| Finish     | Bright Nickel   |
| Glass      | -----           |
| Crystal    | -----           |
| Input      | 120V AC,60HZ,AC |

|             |       |
|-------------|-------|
| Shade       | ----- |
| Length/Dia. | 10"   |
| Width/Ext.  | ----- |
| Height      | 11"   |
| Maximum     | 84"   |
| Lumens      | ----- |

|              |       |
|--------------|-------|
| Light Source | E12   |
| Bulb Info.   | 3×60W |
| Included     | ----- |
| Dimmable     | No    |
| Color        | ----- |
| Weight       | ----- |

**CWILIGHTING**  
[www.cwilighting.com](http://www.cwilighting.com)  
[Info@cwilighting.com](mailto:Info@cwilighting.com)

140 Steelcase Rd.W.  
 Markham ON, L3R 3J9 Canada  
 Tel: 905 940 4999  
 Toll: 1-877-564-6034  
 Fax: 905-940-0126  
 Toll Fax: 1-866-840-2796

Dallas showroom  
 Dallas Market Center  
 Showroom #: 3327  
 2100N. Stemmons Frwy.  
 Dallas, TX 75207

