

MIDWAY

RECESSED COLLECTION



2" 45359 TRIMLESS ROUND FIXED DOWNLIGHT



The Midway collection is a family of integrated led recessed lights available in sizes ranging from 2"-6". With their durable die cast aluminum bodies and built on CCT color selecting switch Midway family fixtures are aesthetically appealing, functional and extremely versatile. Their IC rated shallow bodies allow them to be used in most residential and commercial installations with or without insulation in the ceiling. Midway fixtures are available in white or black finish and come standard with a reliable phase dimming power supply.

PROJECT: _____

TYPE: _____

DATE: _____

NOTES: _____



2700K . 3000K . 3500K . 4000K . 5000K

SPECIFICATIONS

LIGHT HOUSING

- IC Airtight Cast aluminum body.
- Remodel application. Mesh plate included.
- Mates to driver box with quick connector.
- Max Ceiling thickness 5/8".
- Approved for wet location.

DIMENSIONS

- Cut hole: \varnothing 2 5/8".
- Fixture: \varnothing 3 9/16" x 5"H.

ELECTRICAL

- 120 V Input class 2 constant current dimmable driver enclosed in junction box.
- TRIAC and ELV dimming.
- Min operating temperature (-4°F~-104°F)(-20°C~-40°C).

LIGHT MODULE

- 1 x 15W Integrated LED COB.
- Lumen maintenance 70% 50,000 hrs.
- CRI: 90+
- Beam angle: 38 degree.
- Kelvin (CCT): 27K | 30K | 35K | 40K | 50K
- Delivered Lumen: 882 lm | 948 lm | 1024 lm | 1053 lm | 1019 lm

CERTIFICATIONS



ORDERING GUIDE

MODEL	FINISH
45359-026	Black
45359-019	White

ACCESSORIES



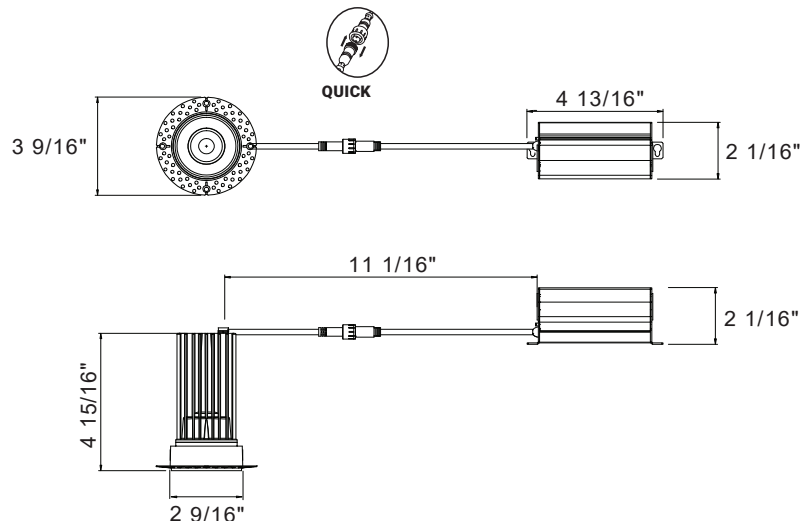
	WATTS	LUMENS	KELVIN	DIMMABLE	CRI	BEAM ANGLE	ADJUSTABLE
2 5/8"	15W	Up to 1053	CCT Selectable	TRIAC/ELV	90+	38°	NO



FINISHES



PRODUCT DIMENSIONS



www.eurofase.com

Tel: 905.695.2055 Fax: 905.695.2056
Toll Free: 1.800.660.5391 Toll Free: 1.800.660.5390

All features, functionality and other product specifications are subject to change without notice.