

Stock Code: **20823LEDD-WWA/WHT**

Collection: Coco

**PRODUCT INFORMATION**

Base: 20823 Parent: 20823LEDD  
Mounting Type: Ceiling UPC: 641594252040  
Finish: White with Antique Brushed Brass  
Diffuser: White

**PRODUCT MEASUREMENTS**

<b>FIXTURE**</b>	<b>BACKPLATE / CANOPY**</b>
Length:	Length:
Width:	Width:
Diameter 15"	Diameter:
Height: 3"	Height:
Extension:	
Overall Height:	

**TECHNICAL SPECIFICATIONS**

**SPECIFICATIONS**

Frame Material: Steel  
Diffuser Material: Acrylic  
Lamping Type: SSL (Dedicated LED) Jbox: Standard  
Lamping Base: SSL Lamp Wattage: 30 W  
Lamp Quantity: 1 Total Wattage: 30 W  
Voltage: 120v Lamps Included: Yes

**QUALIFICATIONS**

Location Rating Damp  
Certification: ETL (US/Canada) Listed  
ADA Compliant: No Energy Star: No  
JA8 Compliant: Yes Emergency Lighting: No  
Marine Grade Finish: No  
Warranty\*\*: 5 Year

**PHOTOMETRICS**

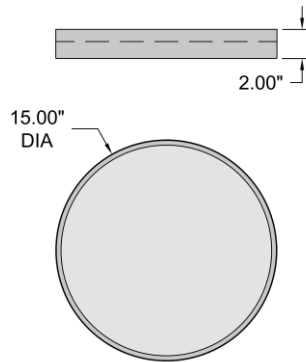
Dimmable: Yes Nominal Lumens: 2500 Lm  
CRI: 90 Delivered Lumens: 1918 Lm  
CCT: 3000K  
Recommended Dimmers:  
(TRIAC)LUTRON Ariadni/Toggler TGCL-153P; (TRIAC)LUTRON Skylark CL SCL-153 or SCL-153P; (ELV)LUTRON Maestro CL MACL-153M; (ELV)LUTRON Skylark Contour CTCL-153P; (TRIAC)LEVITON Decora Sureslide 6674; (ELV)LEVITON Decora DSF06-107

**ADDITIONAL NOTES**

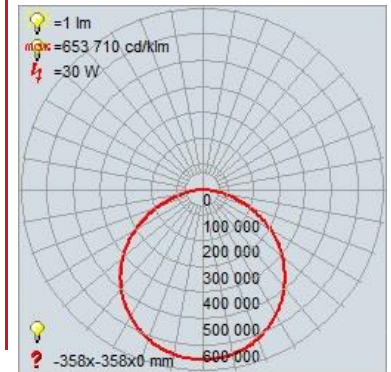
Project Name: \_\_\_\_\_  
Location: \_\_\_\_\_  
Type: \_\_\_\_\_  
Quantity: \_\_\_\_\_  
Notes: \_\_\_\_\_



**LINE DRAWING**



**IES FILE**



In addition to Access Lighting's purchase and warranty terms and conditions, by signing below or placing an order, you agree that you are authorized to bind the entity placing any order and acknowledge the following: All of sizes and measurements are approximate and all images are for illustrative purposes only. In the event of an inconsistency, the "Product Measurements" section controls. There also may be slight differences in the colors and designs compared to the displayed and printed images.

Signature: \_\_\_\_\_  
Print Name \_\_\_\_\_ Date: \_\_\_\_\_

**Toll Free 800-828-5483 www.AccessLighting.com**  
301 Piedmont Grove Park, Suite A, Greenville, SC 29611



\*\* NOTE: All measurements are rounded up to the 1/4 inch. There is no warranty on any replaceable bulbs, even if included with the fixture.  
Copyright Access Lighting Corp. All information is subject to change without notice. 5/29/2024 20823LEDD-WWA\_WHT.pdf