

The  
**OLD HAVANA**<sup>®</sup>  
Series Fans



Motor Ass'y with  
Pedestal Accessory  
Weight 29 lbs



Motor Ass'y with  
Ceiling Fan Accessory  
Weight 22 lbs

Motor Assembly  
#FPH210  
Weight 19 lbs



Motor Ass'y  
with Floor/Desk  
Accessory  
Weight 25 lbs



Motor Ass'y with  
Wall Accessory  
Weight 27 lbs

**OWNER'S MANUAL**  
READ AND SAVE THESE INSTRUCTIONS

**FANIMATION**<sup>®</sup>

## Important Safety Instructions

**WARNING:** To avoid fire, shock and serious personal injury, follow these instructions.

1. Read your owner's manual and safety information before installing your new fan. Review the accompanying assembly diagrams.
2. Before servicing or cleaning unit, switch power off at service panel and lock service panel disconnecting means to prevent power from being switched on accidentally. When the service disconnecting means cannot be locked, securely fasten a warning device, such as a tag, to the service panel.
3. Be careful of the fan and blades when cleaning, painting, or working near the fan. Always turn off the power to the ceiling fan before servicing.
4. Do not insert anything into the fan blades while the fan is operating.
5. Do not operate reversing switch until fan blades have come to a complete stop.

## Additional Safety Instructions

1. To avoid possible shock, be sure electricity is turned off at the fuse box before wiring, and do not operate fan without blades.
2. All wiring and installation procedures must satisfy National Electrical Codes (ANSI/ NFPA 70-1999). Use the National Electrical Code if Local Codes do not exist. The ceiling fan must be grounded as a precaution against possible electrical shock. Electrical installation should be made or approved by a licensed electrician.
3. The fan base must be securely mounted and capable of reliably supporting at least 100 lbs. (fan and accessories not to exceed 35 lbs. or 16 kgs.). Outlet boxes are not acceptable for fan support. See page 5 of owner's manual for support requirements. Consult a qualified electrician if in doubt.

4. **CAUTION:** To reduce the risk of personal injury, mount the fan base to a ceiling joist or structural member using the hardware provided with your fan.

**WARNING:** Support Directly from Building Structure.

5. The fan must be mounted with the fan blades at least 7 feet from the floor to prevent accidental contact with the fan blades.

6. Follow the recommended instructions for the proper method of wiring your ceiling fan. If you do not have adequate electrical knowledge or experience, have your fan installed by licensed electrician.

7. Suitable for use with solid-state speed controls.

**WARNING:** To reduce the risk of fire or electric shock, this fan should only be used with Fan Speed Control Part No. UC7051R, manufactured by Rhine Electronic Co., Ltd.

**WARNING:** TO REDUCE THE RISK OF SHOCK, THIS FAN MUST BE INSTALLED WITH AN ISOLATING WALL CONTROL/SWITCH.

**WARNING:** This product is designed to use only those parts supplied with this product and/or accessories designated specifically for use with this product. Using parts and/or accessories not designated for use with this product could result in personal injury or property damage.

**WARNING:** To reduce the risk of personal injury, do not bend the blade bracket (flange or blade holder) when installing the brackets, balancing the blades, or cleaning the fan. Do not insert foreign objects in between rotating fan blades.

## LIMITED LIFETIME WARRANTY

Extends to the original purchaser of a Fanimation Fan

1. **LIMITED LIFETIME MOTOR WARRANTY** - If any part of your fan motor fails, due to a defect in materials or workmanship during the lifetime of the original purchaser, Fanimation will provide the replacement part free of charge, when the defective fan is returned to our national service center. Proof of purchase is required. Customer shall be responsible for all costs incurred in the removal or reinstallation and shipping of the product for repairs or replacement.
2. **ONE YEAR MOTOR LABOR WARRANTY** - If your fan motor fails at any time within one year from the original purchase, due to defects in materials or workmanship, labor to repair the motor will be provided free of charge at our national service center. Purchaser will be responsible for labor charges after this one-year period. Customer shall be responsible for all costs incurred in the removal or reinstallation and shipping of the product for repairs or replacement.
3. If any other part of your fan fails at any time within one year after original purchase, due to a defect in materials or workmanship, we will repair, or replace, at our option, the defective part free of charge for parts and labor performed at our national service center.
4. Because of varying climate conditions, this warranty does not cover changes in the finish, including rusting, pitting, corroding, tarnishing, or peeling.
5. This warranty is void and does not apply to damage from improper installation, neglect, accident, misuse, exposure to extremes of heat or humidity, or as a result of any modification to the original product.
6. All costs of removal and reinstallation of the fan are the sole responsibility of the owner of the fan and not the store that sold the fan or Fanimation.
7. Fanimation reserves the right to modify or discontinue any product at any time and may substitute any part under this warranty.
8. Under no circumstances may a fan be returned without prior authorization from Fanimation. The receipt of purchase must accompany authorized returns and must be sent freight prepaid to Fanimation. The fan to be returned must be properly packed to avoid damage in transit; Fanimation will not be responsible for any damage resulting from improper packaging.
9. It is understood that any repair or replacement is the exclusive remedy available from Fanimation. There is no other expressed or implied warranty. Fanimation hereby disclaims any and all implied warranties, including, but not limited to those of merchantability and fitness for a particular purpose to the extent permitted by law. Some states do not allow limitations on implied warranties. Fanimation will not be liable for incidental, consequential, or special damages arising out of or in conjunction with product use or performance, except as may otherwise be accorded by law. This warranty gives you special legal rights and you may also have other rights that vary from state to state.
10. A certain amount of wobble is normal and should not be considered a problem or a defect.

---

# This Manual is Designed to Make it as Easy as Possible for You to Assemble, Install, Operate, and Maintain Your Fan

---

## Unpacking Instructions for the Motor Assembly

*The Motor Assembly you purchased is shipped in a separate carton. Follow the unpacking instructions below. After completely unpacking the Motor Assembly proceed to the proper section of the manual to assemble the Ceiling Fan Model, Wall Model, Pedestal Model or Floor / Desk Model.*

### ⚠ WARNING

Do not install or use fan if any part is damaged or missing. This product is designed to use only those parts supplied with this product and/or any accessories designated specifically for use with this product by Fanimation. Substitution of parts or accessories not designated for use with this product by Fanimation could result in personal injury or property damage. Contact your retail store for missing or damaged parts.

1. Check to see that you have received the following parts:

- Motor Assembly
- Owner's Manual

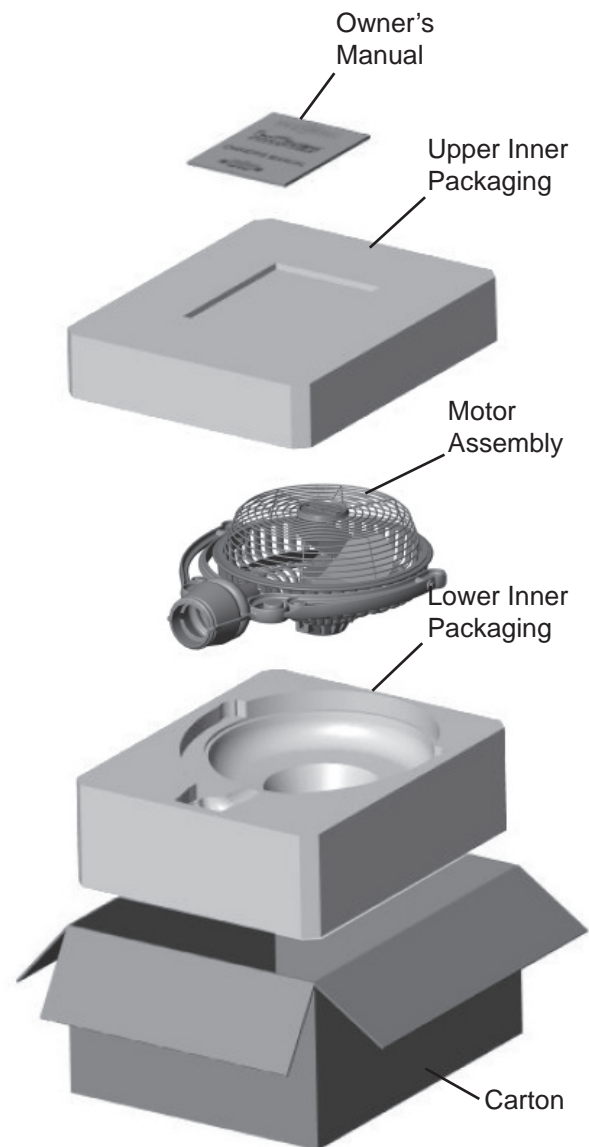


Fig. 1

# How to Assemble Your Ceiling Fan Accessory

## Tools Needed for Assembly

- One Phillips head screwdriver
- One stepladder
- One 1/4" blade screwdriver
- One wire stripper
- Three wire connectors (supplied)
- Allen Wrench (supplied)

## Materials

Wiring outlet box and box connectors must be of type required by local code. The minimum wire would be a 3-conductor (2-wire with ground) of the following size:

Installed Wire Length	Wire Size AWG
Up to 50 ft.	14
50-100 ft.	16

### ⚠ WARNING

Before assembling your ceiling fan, refer to section on proper method of wiring your fan (page 6). If you feel you do not have enough wiring knowledge or experience, have your fan installed by a licensed electrician.

## Unpacking Instructions for the Ceiling Fan Accessory

### ⚠ WARNING

Do not install or use fan if any part is damaged or missing. This product is designed to use only those parts supplied with this product and/or any accessories designated specifically for use with this product by Fanimation. Substitution of parts or accessories not designated for use with this product by Fanimation could result in personal injury or property damage. Contact your retail store for missing or damaged parts.

1. Check to see that you have received the following parts:

**NOTE:** If you are uncertain of part description, refer to exploded view illustration. (Page 17)

- Downrod / Hanger Ball Assembly
- Ceiling Canopy / Hanger Bracket
- Motor Coupling Cover
- Ceiling Fan Hardware Bag
- 1. Threaded Rods (2)
- 2. Knurled Knobs (2)
- 3. External Lock Washers (2)
- 4. Mounting Flange
- 5. Wire leads: Black, White, Green
- 6. 1/4-20 x 1 1/2" allen head bolts (3)
- 7. Internal 3" dia. x 1/4" disc
- 8. Wire connectors (6)
- 9. 1/2" wire grommet
- 10. 1/4-20 x 3" Installation Rod
- 11. 3/16" allen wrench

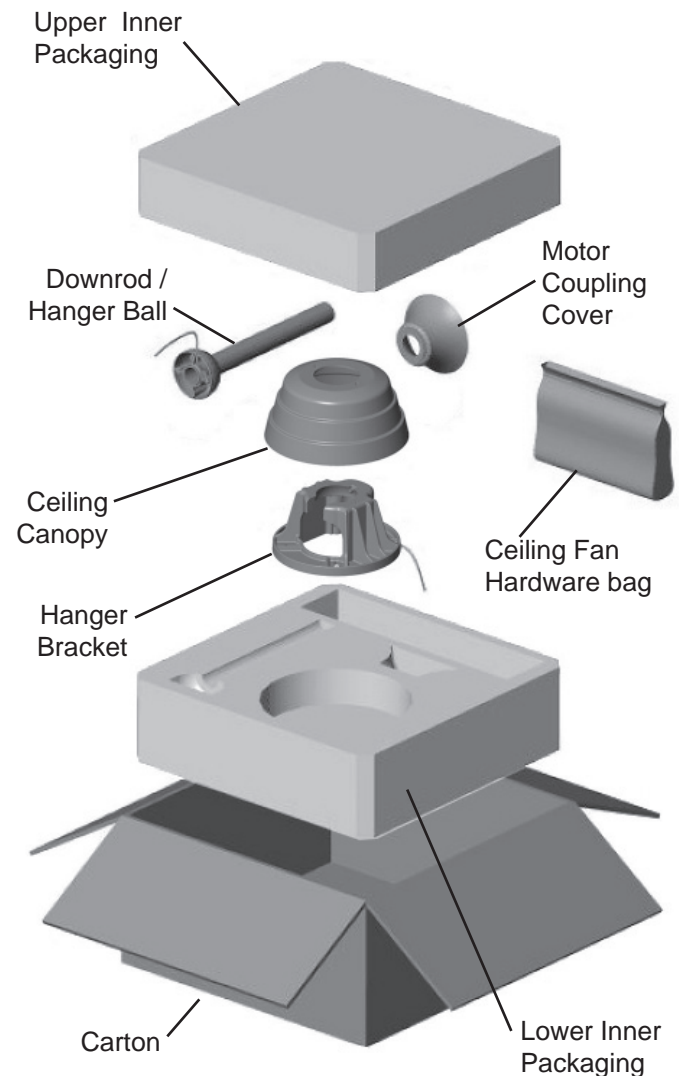


Fig. 2

# How to Assemble the Ceiling Accessory

**NOTE:** Proceed to page 8 for Assembly Instructions if you have purchased a Floor/Desk Model, page 10 for Pedestal Model Assembly Instructions and page 12 for Wall Mount Model Assembly Instructions.

Prior to assembly, set aside and save the hardware bag packed in the upper foam packing.

If you feel that you do not have enough electrical wiring knowledge or experience, have your fan installed by a licensed electrician.

1. Cut the black power cord approx. 24" from the fans motor cover (located on back of motor assembly).

## ⚠ WARNING

To avoid possible electrical shock, be sure electricity is turned off at the main fuse box before wiring. **NOTE: If you are not sure if the outlet box is grounded, contact a licensed electrician for advice, as it must be grounded for safe operation.**

2. Insert the provided wire grommet into the 1/2" hole in the Motor Assembly. Feed the power cord through the grommet and out the large end of the Motor Assembly. Tie a knot in the black power cord approx. 18" from the fans motor cover.

3. Remove approx. 2" of the black outer sheathing on the power cord to expose the 3 colored wires inside. Strip the insulation 3/8" from the ends of these three wires.

4. Using 3 wire connectors, connect the power cord to the provided wire. Black-Black, White-White and Green-Green.

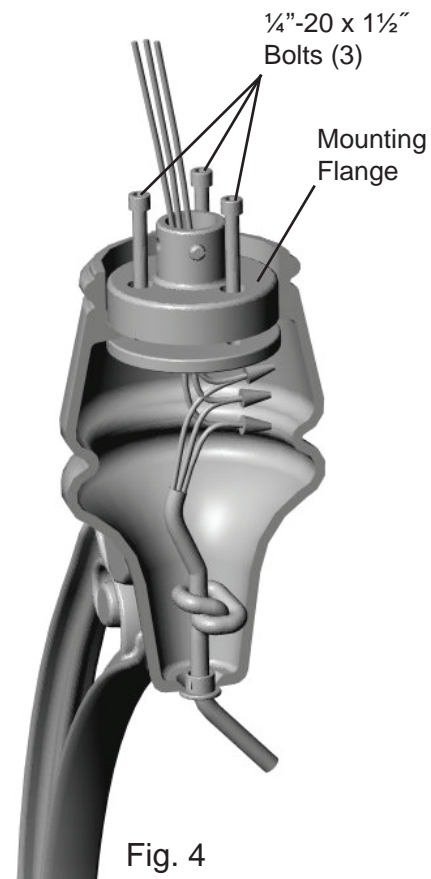
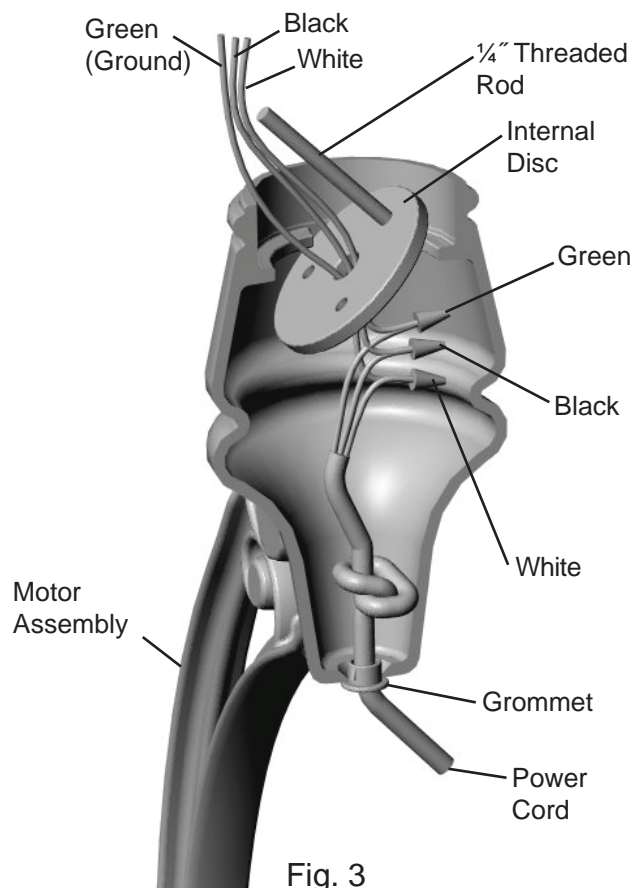
5. Thread the 1/4" installation rod into one of the 3 threaded holes in the 3" dia. x 1/4" internal disc provided (Fig. 3).

6. Pull the black power cord down through the Motor Assembly until the wire connectors are inside the Motor Assembly housing (Fig.4).

7. Insert the 3 wires through the center of this disc. Then, holding the rod, at an angle feed the disc through the 2 slots in the large opening in the Motor Assembly. Once through the slots pull the disc so that it sits flat against the underside of the lip (Fig. 4).

8. Insert the 3 wires through the center of the mounting flange. Now slide the flange over the 1/4" rod through one of the three bolt holes.

9. In the other 2 bolt holes loosely thread two 1/4-20 x 1 1/2" allen head bolts into the disc (Fig. 4)



## How to Assemble the Ceiling Accessory (cont'd)

10. Remove the ¼" rod and thread the third ¼-20 x 1½" allen head bolt into this hole.

11. Tighten the 3 allen head bolts.

12. Pass the Downrod / Hanger Ball Assembly through the top of the ceiling canopy and push the bell shaped motor coupling cover onto the downrod as shown.

**NOTE:** You will be using either the 6" downrod supplied with your fan or an optional downrod purchased separately.

13. Separate and untwist the three motor leads. Route the motor leads through the Downrod/Hanger Ball Assembly.

### ⚠ WARNING

It is critical that the clevis pin in the downrod support is properly installed and the setscrews are securely tightened. Failure to verify that the pin and setscrews are properly installed could result in the fan falling.

14. Loosen the two setscrews in the downrod support. Align the clevis pin holes in the downrod with the holes in the downrod support. Install the clevis pin and secure with the hairpin clip (Fig. 5). The clevis pin must go through the holes in the downrod support and the holes in the downrod. Be sure to push the straight leg of the hairpin clip through the hole near the end of the clevis pin until the curved portion of the hairpin clip snaps around the clevis pin. The hairpin clip must be properly installed to prevent the clevis pin from working loose. Pull on the hanger ball to make sure the clevis pin is properly installed.

15. While pulling up on the hanger ball, securely tighten the two 3/16-24 x 3/8" setscrews in the downrod support (Fig. 5).

**NOTE:** The setscrews must be properly installed as described above, or fan-wobble will result.

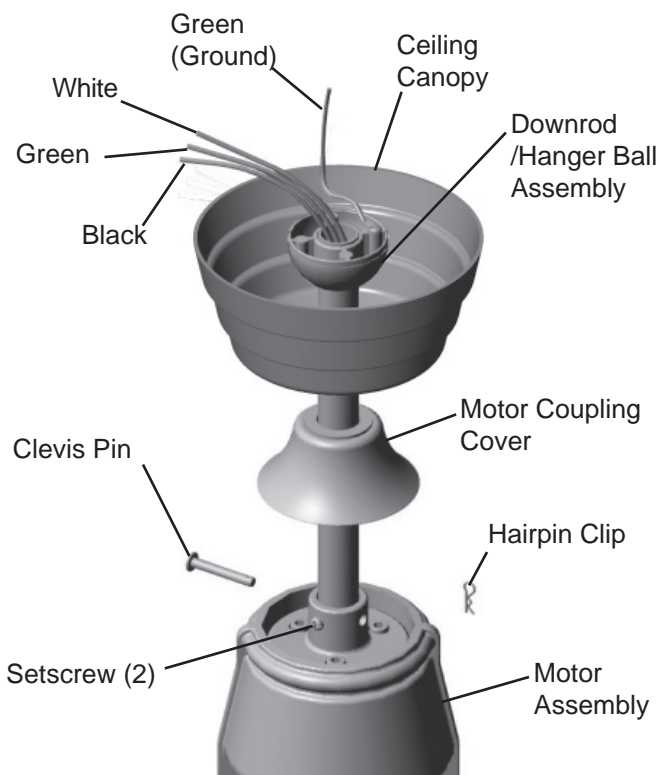


Fig. 5

16. The fan comes with green, black, and white leads. Before installing fan, measure up approximately 6-9 inches above top of Downrod/Hanger Ball Assembly. Cut off excess wire and strip back insulation ½" from end of wire.

17. You have now completed the assembly of your ceiling fan. You can now proceed with the hanging and the electrical wiring of your fan.

### ⚠ WARNING

To reduce the risk of personal injury, do not insert foreign objects in between the rotating blades.

# Electrical and Structural Requirements

Your new ceiling fan will require a grounded electrical supply line of 120 volts AC, 60 Hz, 15 amp circuit. The outlet box must be securely anchored and capable of withstanding a load of at least 50 lbs. **Figure 6** depicts different structural configurations that may be used for mounting the outlet box.

## ⚠ WARNING

To reduce the risk of fire, electrical shock, or personal injury, mount fan to outlet box marked acceptable for fan support, and use screws supplied with outlet box. Most outlet boxes commonly used for support of light fixtures are not acceptable for fan support and may need to be replaced. Consult a qualified electrician if in doubt.

If your fan is to replace an existing light fixture, turn electricity off at the main fuse box at this time and remove the existing light fixture.

## ⚠ WARNING

Turning off wall switch is not sufficient. To avoid possible electrical shock, be sure electricity is turned off at the main fuse box before wiring. All wiring must be in accordance with National and Local codes and the ceiling fan must be properly grounded as a precaution against possible electrical shock.

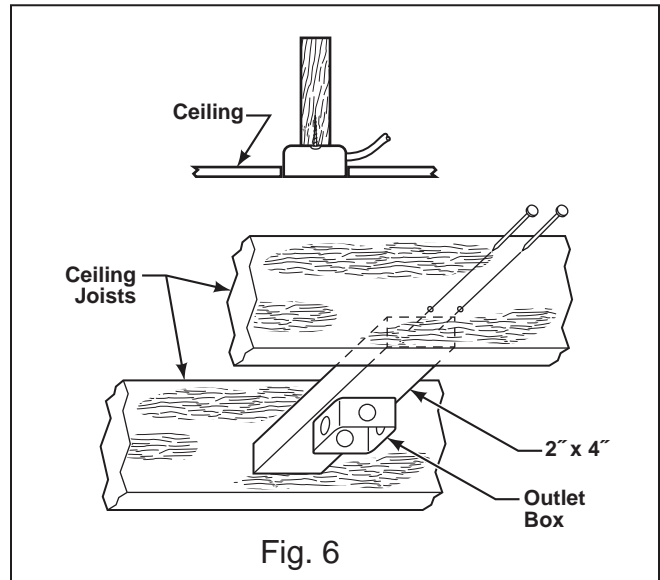


Fig. 6

## ⚠ WARNING

To avoid fire or shock, follow all wiring instructions carefully. Any electrical work not described in these instructions should be done or approved by a licensed electrician.

# How to Hang Your Ceiling Fan

1. Securely attach the hanger bracket to the outlet box using the outlet box screws and washers supplied with your fan or outlet box (Fig. 7).

2. Pull the electric wires in the outlet box down through the opening in the hanger bracket and bend wires up and out of the way so that the hanger ball will easily fit into the hanger bracket.

## ⚠ WARNING

The outlet box must be securely anchored and capable of withstanding a load of at least 50 lbs. Hanger bracket must seat firmly against outlet box. If the outlet box is recessed, remove wallboard until bracket contacts box. If bracket and/or outlet box are not securely attached, the fan could wobble or fall.

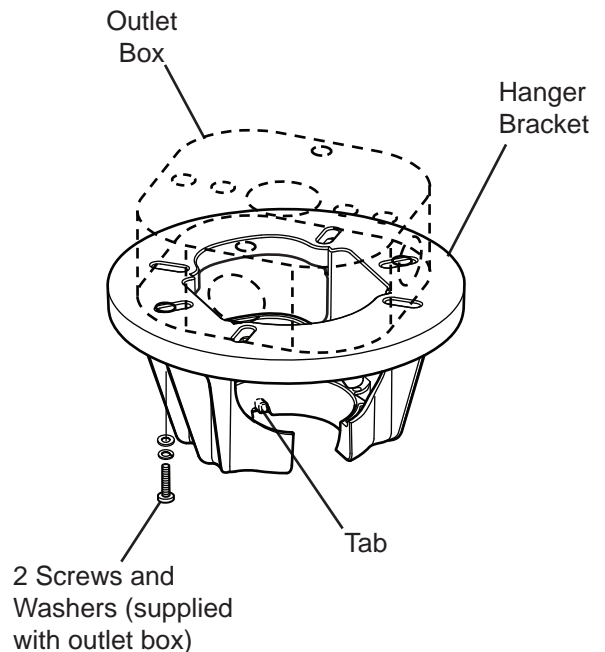


Fig. 7

## How to Hang Your Ceiling Fan (cont'd)

3. Carefully lift the fan and seat the downrod/hanger ball assembly on the hanger bracket that was just attached to the outlet box (Fig. 8). Be sure the groove in the ball is lined up with tab on the hanger bracket (Fig. 8).

4. The Motor Assembly may be oriented to the desired position by loosening the 3  $\frac{1}{4}$ -20 x  $1\frac{1}{2}$ " bolts located at the top of the mounting flange (Fig. 4) and rotating the Motor Assembly. Be sure to retighten all 3 bolts.

### ⚠ WARNING

Failure to seat tab in groove could cause damage to electrical wires and possible shock or fire hazard.

**NOTE:** Ceiling cover, supply wires, and fan wires omitted for clarity.

### ⚠ WARNING

To avoid possible fire shock, do not pinch wires between the downrod/hanger ball assembly and the hanger bracket.

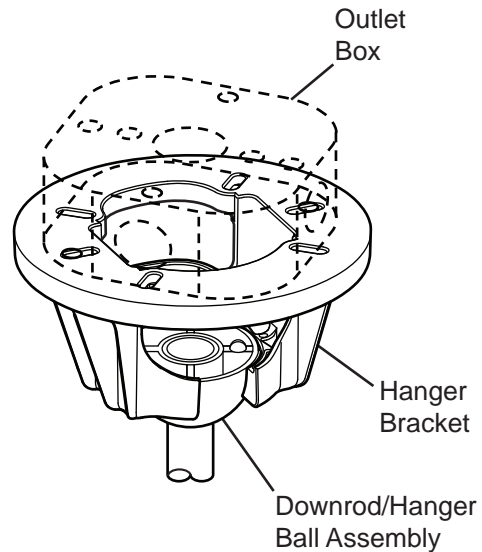


Fig. 8

## How to Wire Your Ceiling Fan

**If you feel that you do not have enough electrical wiring knowledge or experience, have your fan installed by a licensed electrician.**

### ⚠ WARNING

To avoid possible electrical shock, be sure electricity is turned off at the main fuse box before wiring. **NOTE:** If you are not sure if the outlet box is grounded, contact a licensed electrician for advice, as it must be grounded for safe operation.

1. Connect the green grounding lead from the hanger ball, the green grounding lead from the hanger bracket to the supply grounding conductor (this may be a bare wire or wire with green colored insulation). Securely connect wires with wire connector supplied.

2. Securely connect the white fan motor wire to the white supply (neutral) wire using wire connector supplied (Fig. 9). Securely connect the black fan motor wire to the black supply wire using wire connector supplied (Fig. 9). After connections have been made, turn leads upward and carefully push leads into the outlet box, with the white and green leads on one side of the outlet box and the black leads on the other side of the outlet box.

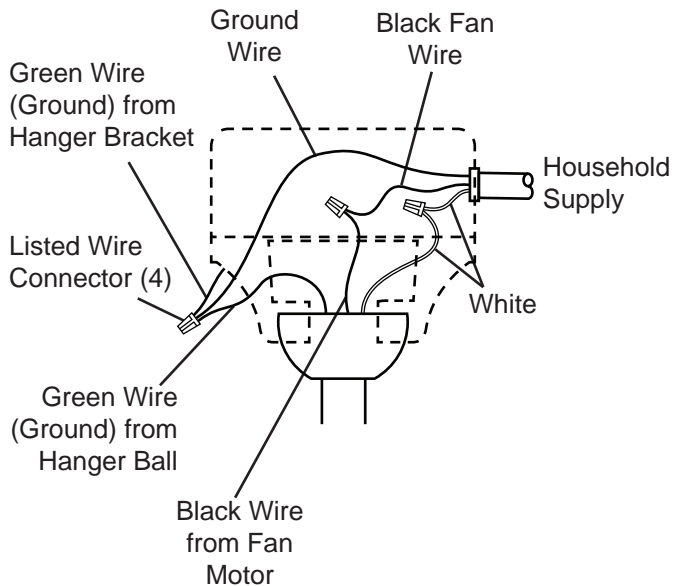


Fig. 9

**NOTE:** Diagram shows wiring for single control of fan



## How to Wire Your Ceiling Fan (cont'd)

### ⚠ WARNING

Check to see that all connections are tight, including ground, and that no bare wire is visible at the wire connectors, except for the ground wire. Do not operate fan until all parts are assembled. Noise and fan damage could result.

3. Screw in two threaded rods into the Hanger Bracket (Fig. 10a).

**NOTE:** The threaded rods in the hanger bracket serves as guides for easier installation.

4. Securely attach the Canopy Housing to the Hanger Bracket using the external lockwashers and knurled knobs supplied with your fan (Fig. 10b).

### ⚠ WARNING

To avoid possible fire or shock, make sure that the electrical wires are completely inside the canopy housing and not pinched between the housing and the ceiling.

5. Push the Motor Coupling cover down until it touches the top of the Yoke Assembly (Fig. 10c).

6. Your Ceiling Fan is now ready for use.

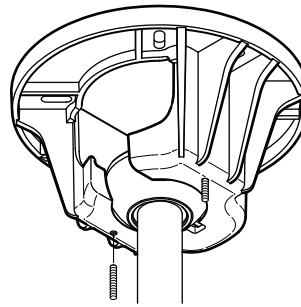


Fig. 10a

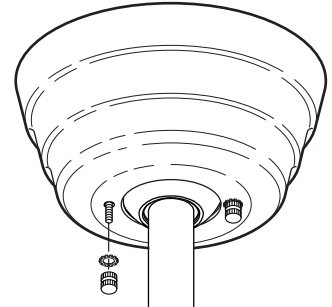


Fig. 10b



Fig. 10c

## Operating the Ceiling Fan

1. Restore electrical power to the outlet box by turning the electricity on at the main fuse box.

2. Check the operation of the fan by turning the speed control to "high".

3. Your fan model is equipped with a 4-position, 3-speed control. The operating sequence is as follows:

- 1<sup>st</sup> position - OFF
- 2<sup>nd</sup> position - HIGH
- 3<sup>rd</sup> position - MEDIUM
- 4<sup>th</sup> position - LOW

4. Wall Control (CH1) and Remote Control (CH4) are available as an accessory — contact your local dealer for ordering information.

Speed Control



Fig. 11

**NOTE:** If using the Wall Control (CH1) or the Remote Control (CH4), the 4-position fan speed control **MUST** be set on HIGH.

---

# How to Assemble Your Floor / Desk Accessory Fan

## Tool Needed for Assembly

- ½" Adjustable Wrench

---

## Unpacking Instructions for the Floor / Desk Accessory

### **⚠ WARNING**

Do not install or use fan if any part is damaged or missing. This product is designed to use only those parts supplied with this product and/or any accessories designated specifically for use with this product by Fanimation. Substitution of parts or accessories not designated for use with this product by Fanimation could result in personal injury or property damage. Contact your retail store for missing or damaged parts.

1. Remove Floor / Desk base from carton.
2. Check to see that you have received the following parts:
  - Floor / Desk Base
  - Standard Hardware Bag
    - 1. 5/16"-18 x 2½" Bolt
    - 2. 5/16" Flat Washers (3)
    - 3. Special Hex Bolt
    - 4. 5/16"-18 x 1½" Bolt (for use with Pedestal Acc.)
  - Base Assembly Hardware Bag
    - 1. 5/16" Spring Washer
    - 2. 5/16" Nylon Nut

**NOTE:** If you are uncertain of part description, refer to exploded view illustration. (page 18)

**NOTE:** Place the parts from the Hardware Bag in a small container to keep them from getting lost. If any parts are missing, contact your local retailer.

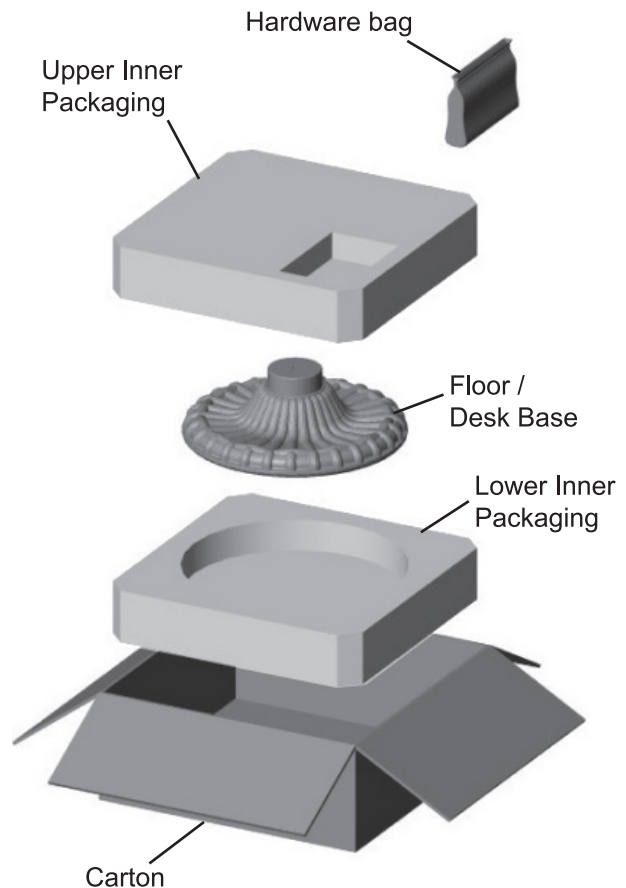


Fig. 12

---

## How to Assemble Your Floor / Desk Fan

1. After removing the Floor/Desk base from the carton, place it on the floor with the flat surface resting on the floor.(Fig. 13)

Floor /  
Desk Base



Fig. 13

2. Secure Hex Bolt and washer in Floor / Desk base with a 5/16" Nylon Nut and Spring Washer. (Fig.14)
3. Position the Motor Assembly onto the Floor / Desk base. (Fig.14)
4. Secure Motor Assembly and Floor / Desk base with a 5/16-18 x 2½" bolt and washer. (Fig. 14)
5. Tighten with adjustable wrench. Do not over tighten.



Fig. 14

---

## Using the Floor / Desk Fan

1. Your fan is now ready to operate.
2. Plug the fan into a U.L. approved 120 volt outlet.



Fig. 15

## Operating the Floor / Desk Fan

1. Check the operation of the fan by turning the speed control to "high".
2. Your fan model is equipped with a 4-position, 3-speed control. The operating sequence is as follows:
  - 1<sup>st</sup> position - OFF
  - 2<sup>nd</sup> position - HIGH
  - 3<sup>rd</sup> position - MEDIUM
  - 4<sup>th</sup> position - LOW

Speed Control



Fig. 16

---

# How to Assemble Your Pedestal Accessory Fan

## Tool Needed for Assembly

- ½" Adjustable Wrench

---

## Unpacking Instructions for the Pedestal Accessory

### ⚠ WARNING

Do not install or use fan if any part is damaged or missing. This product is designed to use only those parts supplied with this product and/or any accessories designated specifically for use with this product by Fanimation. Substitution of parts or accessories not designated for use with this product by Fanimation could result in personal injury or property damage. Contact your retail store for missing or damaged parts.

**NOTE:** Column is not included and is sold separately.

1. Remove base from carton.
2. Check to see that you have received the following parts:
  - Floor Base
  - Standard Hardware Bag
    - 1. 5/16"-18 x 2½" Bolt
    - 2. 5/16" Flat Washers (3)
    - 3. Special Hex Bolt
    - 4. 5/16"-18 x 1½" Bolt

**NOTE:** If you are uncertain of part description, refer to exploded view illustration. (page 19)

**NOTE:** Place the parts from the Hardware Bag in a small container to keep them from getting lost. If any parts are missing, contact your local retailer.

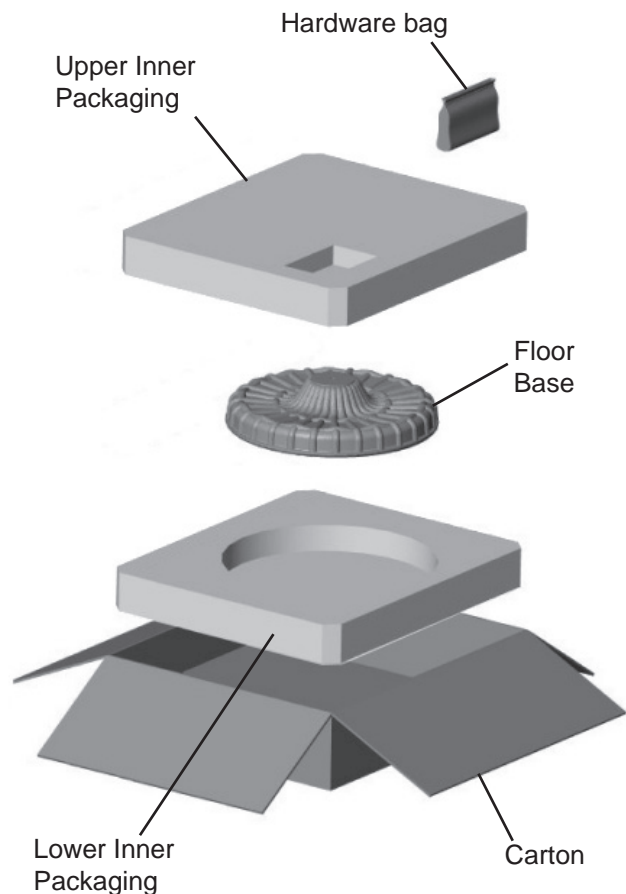


Fig. 17

# How to Assemble Your Pedestal Fan

1. Assemble Column to floor base using 5/16"-18 x 1 1/2" bolt and washer (Fig. 18). Do not overtighten.
2. After you assembly the column to the floor base, you will proceed to mounting your Motor Assembly to the column.
3. Secure the Hex Bolt and washer into the top of the column.
4. Position the Motor Assembly onto the Column.
5. Secure the Motor Assembly with a 5/16"-18 x 2 1/2" bolt and washer. Tighten with an adjustable wrench. Do not overtighten.

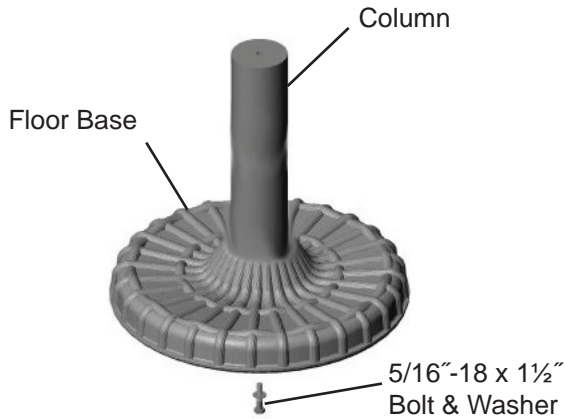


Fig. 18

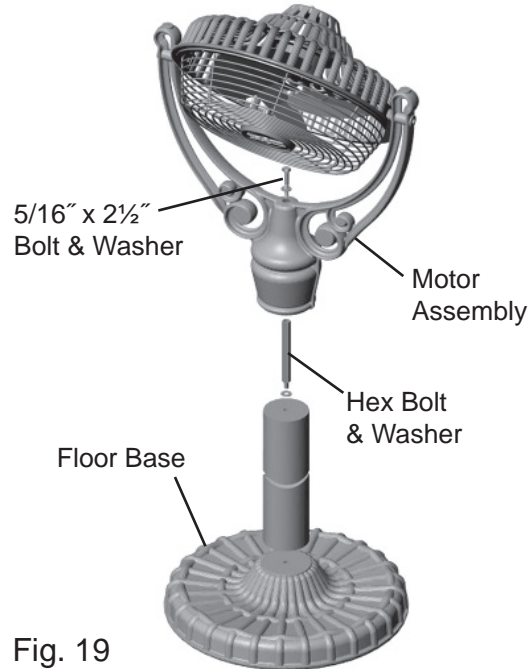


Fig. 19

## Using the Pedestal Fan

1. Your fan is now ready to operate.
2. Plug the fan into a U.L. approved 120 volt outlet.



Fig. 20

## Operating the Pedestal Fan

1. Check the operation of the fan by turning the speed control to "high".
2. Your fan model is equipped with a 4-position, 3-speed control. The operating sequence is as follows:
  - 1<sup>st</sup> position - OFF
  - 2<sup>nd</sup> position - HIGH
  - 3<sup>rd</sup> position - MEDIUM
  - 4<sup>th</sup> position - LOW

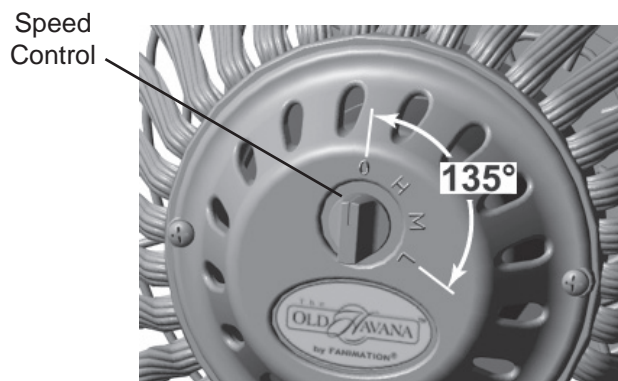


Fig. 21

---

# How to Assemble Your Wall Accessory

## Tool Needed for Assembly

- ½" Adjustable Wrench

---

## Unpacking Instructions for the Wall Accessory

### ⚠ WARNING

Do not install or use fan if any part is damaged or missing. This product is designed to use only those parts supplied with this product and/or any accessories designated specifically for use with this product by Fanimation. Substitution of parts or accessories not designated for use with this product by Fanimation could result in personal injury or property damage. Contact your retail store for missing or damaged parts.

1. Check to see that you have received the following parts:

- Wall Bracket
- Standard Hardware Bag
  - 1. 5/16"-18 x 2½" Bolt
  - 2. 5/16" Flat Washers (3)
  - 3. Special Hex Bolt
  - 4. 5/16"-18 x 1½" Bolt (for use with Pedestal Acc.)
- Wall Unit Hardware Bag
  - 1. Two #12 x 3" wood screws.
  - 2. Two 5/16" plastic hole caps.
  - 3. Two ½" plastic hole caps.

**NOTE:** If you are uncertain of part description, refer to exploded view illustration. (page 20)

**NOTE:** Place the parts from the Hardware Bag in a small container to keep them from getting lost. If any parts are missing, contact your local retailer.

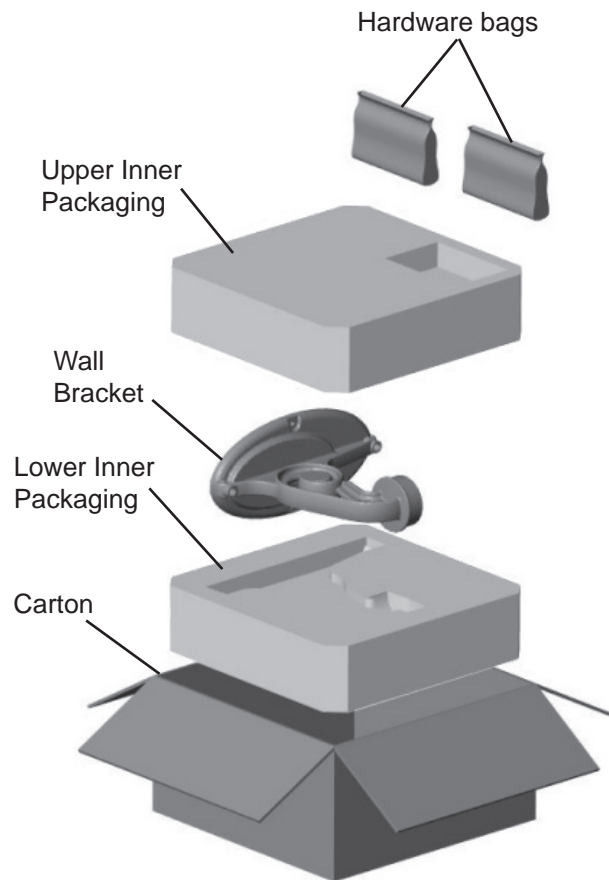


Fig. 22

---

## Mounting Wall Bracket to Wall

1. Determine approximate position of fan.
2. Locate stud in your wall.
3. For stud installation the top and bottom holes on wall bracket will be used. These holes are on 11" centers.
4. Position wall bracket on dry wall and mark hole locations.
5. Drill two 5/32" pilot holes through drywall into wooden stud.
6. Position wall bracket over pilot holes and mount with two #12 x 3" wood screws provided.

### Concrete Wall Installation Note

*It is recommended that all four mounting holes are used in concrete wall installations. Concrete wall anchors are not provided.*

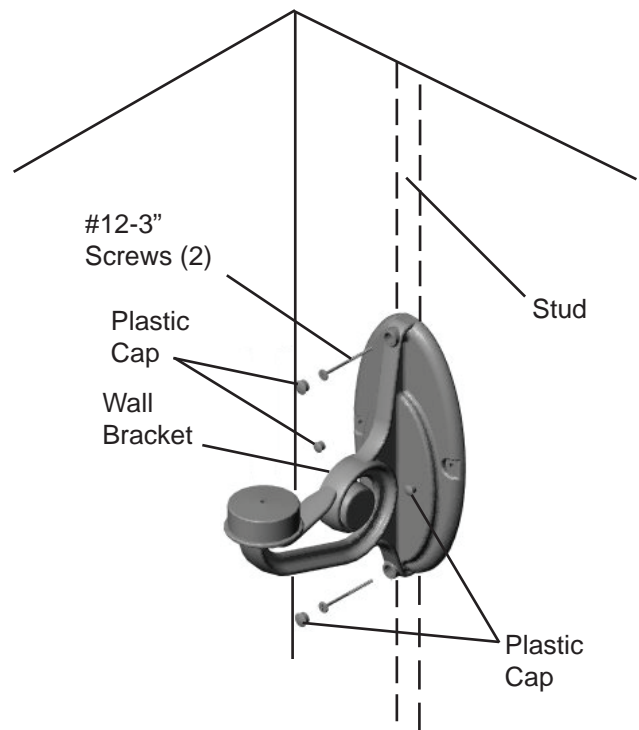


Fig. 23

---

## Mounting Motor Assembly to Mounted Wall Bracket

1. After you have successfully assembled the Wall Bracket to the wall, you are ready to mount the Motor Assembly to the Wall Bracket.
2. Secure Hex Bolt and washer to the Wall Bracket (Fig 24).
3. Position the Motor Assembly onto the Wall Bracket.
4. Using a 5/16" x 2 1/2" bolt and washer, fasten the Motor Assembly to the wall bracket.
5. Tighten with an adjustable wrench. Do not over-tighten.
6. Insert plastic screw caps into the four holes on the wall bracket, this will hide any screw heads.

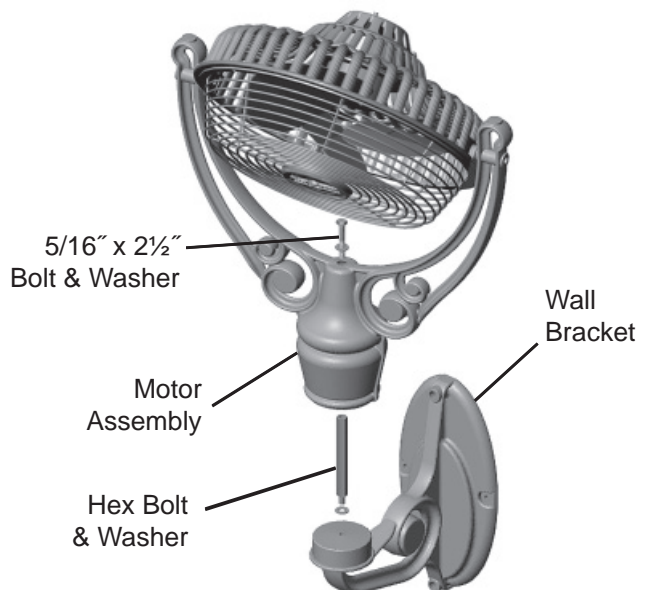


Fig. 24

## Using Your Wall Fan

1. Your fan is now ready to operate.
2. Plug the fan into a U.L. approved 120 volt outlet.



Fig. 25

## Operating Your Wall Fan

1. Check the operation of the fan by turning the speed control to "high".
2. Your fan model is equipped with a 4-position, 3-speed control. The operating sequence is as follows:

- 1<sup>st</sup> position - OFF
- 2<sup>nd</sup> position - HIGH
- 3<sup>rd</sup> position - MEDIUM
- 4<sup>th</sup> position - LOW

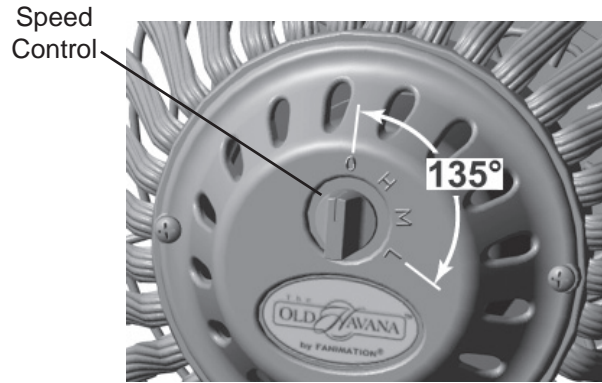


Fig. 26

## Safety Instruction About Fuse

1. This product employs overload protection (fuse). A blown fuse indicates an overload or short-circuit situation. If the fuse blows, unplug the product from the outlet. Replace the fuse as per the user servicing instructions (follow product marking for proper fuse rating) and check the product. If the replacement fuse blows, a short-circuit may be present and the product should be discarded or returned to an authorized service facility for examination and/or repair.
2. Do not operate any fan with a damaged cord or plug. Discard fan or return to an authorized service facility for examination and/or repair.
3. Do not run cord under carpeting. Do not cover cord with throw rugs, runners, or similar coverings. Do not route cord under furniture or appliances. Arrange cord away from traffic area and where it will not be tripped over.

## How To Replace Fuse

1. Grasp plug and remove from the receptacle or other outlet device. Do not unplug by pulling on cord.
2. Slide open fuse access cover on top of attachment plug towards blades (Fig. 1).
3. Remove fuse carefully (Fig. 2).
4. Slide closed the fuse access cover on top of attachment plug.

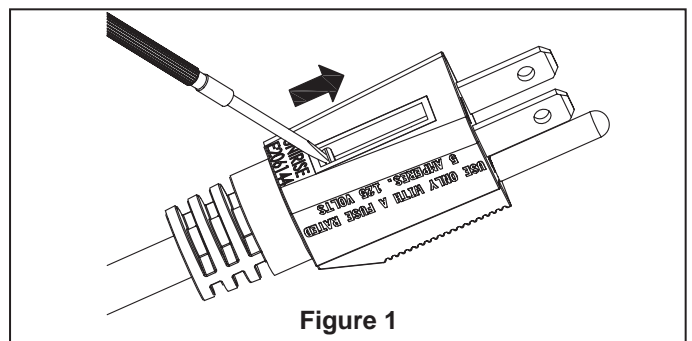


Figure 1

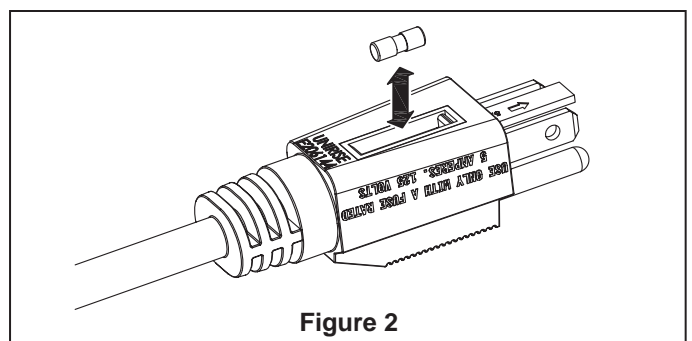


Figure 2

### **⚠ WARNING**

Risk of fire. Replace fuse only with 5 Amp, 125 Volt fuse.

### **⚠ WARNING**

Risk of fire. Do not replace attachment plug. Contain a safety device (fuse) that should not be removed. Discard product if the attachment plug is damaged.



# Maintenance

Periodic cleaning of your fan is the only maintenance that is needed.

When cleaning, use only a soft brush or lint free cloth to avoid scratching the finish.

Abrasive cleaning agents are not required and should be avoided to prevent damage to finish.

## CAUTION

**Do not use water when cleaning your ceiling fan. It could damage the motor or the finish and create the possibility of electrical shock.**

## ⚠ WARNING

**For your own safety turn off power at fuse box or circuit breaker before trouble shooting your fan.**

# Trouble Shooting

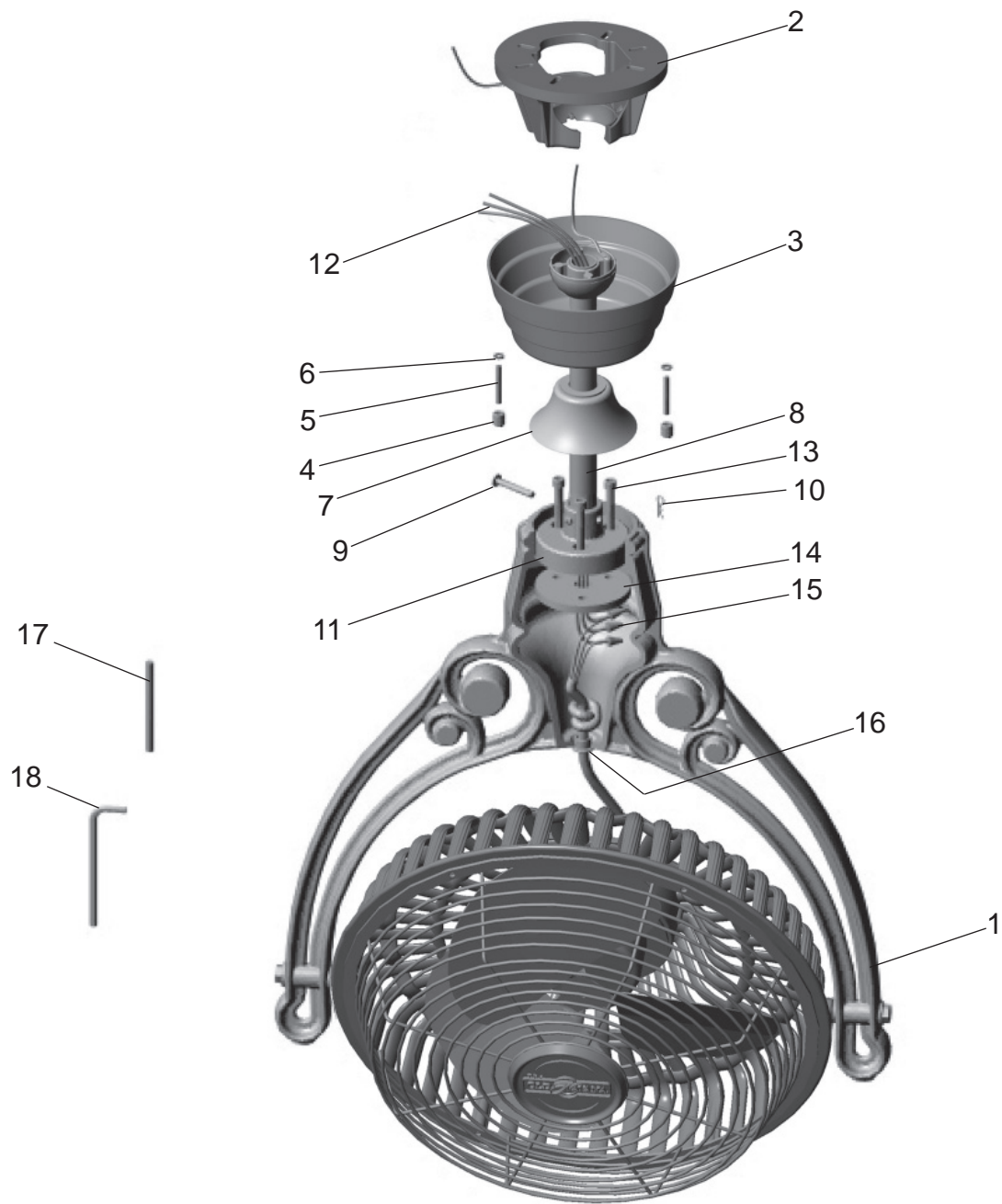
TROUBLE	PROBABLE CAUSE	SUGGESTED REMEDY
<b>1. FAN WILL NOT START.</b>	<ol style="list-style-type: none"> <li>1. Fuse or circuit breaker blown.</li> <li>2. Loose power line connections to the fan, or loose switch wire connections to the motor assembly.</li> </ol>	<ol style="list-style-type: none"> <li>1. Check main and branch circuit fuses or circuit breakers.</li> <li>2. Check line wire connections to fan and switch wire connections in the motor assembly. <b>CAUTION:</b> Make sure main power is turned off.</li> </ol>
<b>2. FAN SOUNDS NOISY.</b>	<ol style="list-style-type: none"> <li>1. Loose screws in motor assembly.</li> <li>2. Wire connectors inside housing rattling.</li> <li>3. Motor noise caused by solid state variable speed control.</li> </ol>	<ol style="list-style-type: none"> <li>1. Check to make sure all screws in motor housing are snug (not over-tight).</li> <li>2. Check to make sure wire connectors in switch housing are not rattling against each other or against the interior wall of the switch housing. <b>CAUTION:</b> Make sure main power is turned off.</li> <li>3. Some fan motors are sensitive to signals from solid-state variable speed controls. If solid-state control is used and motor noise results, choose an alternative control method.</li> </ol>
<b>3. FAN WOBBLER EXCESSIVELY.</b>	<ol style="list-style-type: none"> <li>1. Set screw in downrod support is loose.</li> <li>2. Set screw in downrod/hanger ball assembly is loose.</li> <li>3. Hanger bracket and/or ceiling outlet box is not securely fastened.</li> </ol>	<ol style="list-style-type: none"> <li>1. Tighten both set screws securely in the downrod support.</li> <li>2. Tighten the set screw in the downrod/hanger ball assembly.</li> <li>3. Tighten the hanger bracket screws to the outlet box, and/or secure outlet box.</li> </ol>

MOTOR ASSEMBLY MODEL # FPH210_**		
Item #	Description	Part #
1	Motor Assembly	FPH210_**
CEILING FAN ACCESSORY MODEL # FPH81_**		
Item #	Description	Part #
Ceiling Canopy / Hanger Bracket Assembly		
2	Hanger Bracket	APG510BL
3	Ceiling Canopy	PG150_**
4	Knurled Knobs (2)	
5	5/32" Threaded Rods (2)	
6	5/32" External Lockwasher (2)	
7	Motor Coupling Cover	
8	6" Down Rod	DR6_**
9	Clevis Pin	
10	Hairpin Clip	
Ceiling Fan Hardware Bag		
11	Mounting Flange	PHCFHB
12	80" Wire leads: Black, White, Green	
13	¼-20 x 1½" allen head bolts (3)	
14	Internal 3" dia. x ¼" disc	
15	Wire connectors (6)	
16	½" wire grommet	
17	¼-20 x 3" Installation Rod	
18	3/16" allen wrench	

\*\* Insert Finish Codes

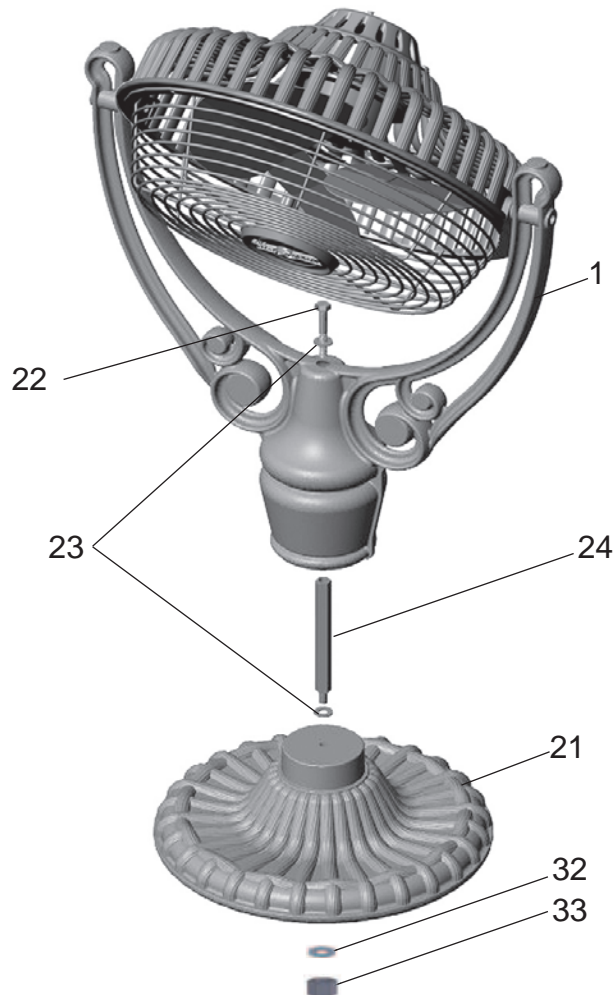
Before discarding packaging material, be certain ALL parts have been removed.

How To Order Parts
<p>When ordering repair parts, always give the following information:</p> <ul style="list-style-type: none"> <li>• Part Number</li> <li>• Part Description</li> <li>• Fan Model Number</li> </ul> <p>Contact your retail store for repair parts.</p>



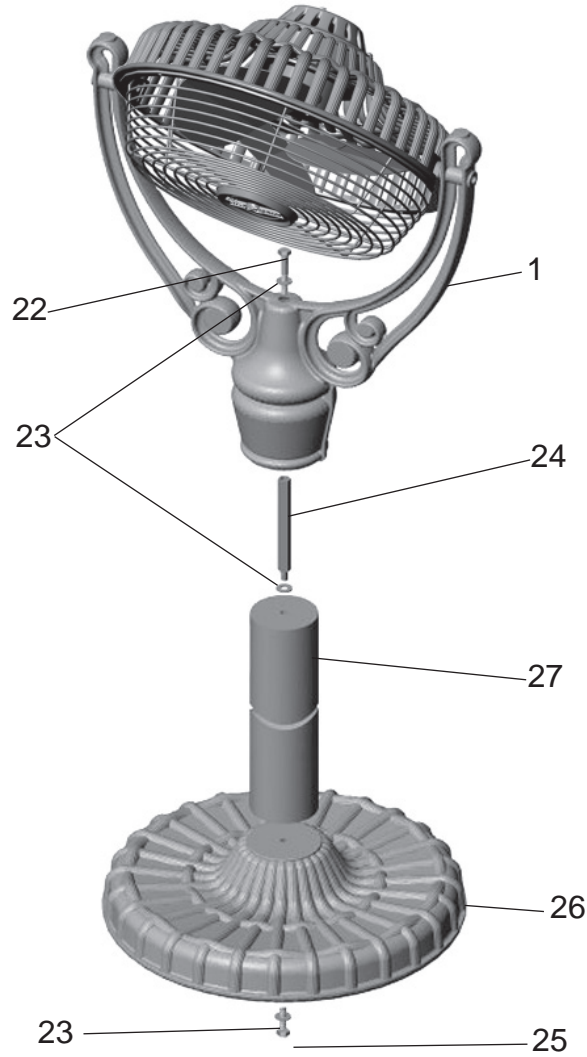
Ceiling Fan Unit

MOTOR ASSEMBLY MODEL # FPH210__		
Item #	Description	Part #
1	Motor Assembly	FPH210__
FLOOR / DESK ACCESSORY MODEL # FPH41__		
Item #	Description	Part #
21	Floor / Desk Base	PHDB
	Standard Hardware Bag	PHSHB
22	5/16"-18 x 2½" Bolt	
23	5/16" Flat Washers (3)	
24	Special Hex Bolt	
25	5/16"-18 x 1½" Bolt (for use with Pedestal Accessory only)	
	Base Assembly Hardware Bag	PHBAHB
32	5/16" Spring Washer	
33	5/16" Nylon Nut	



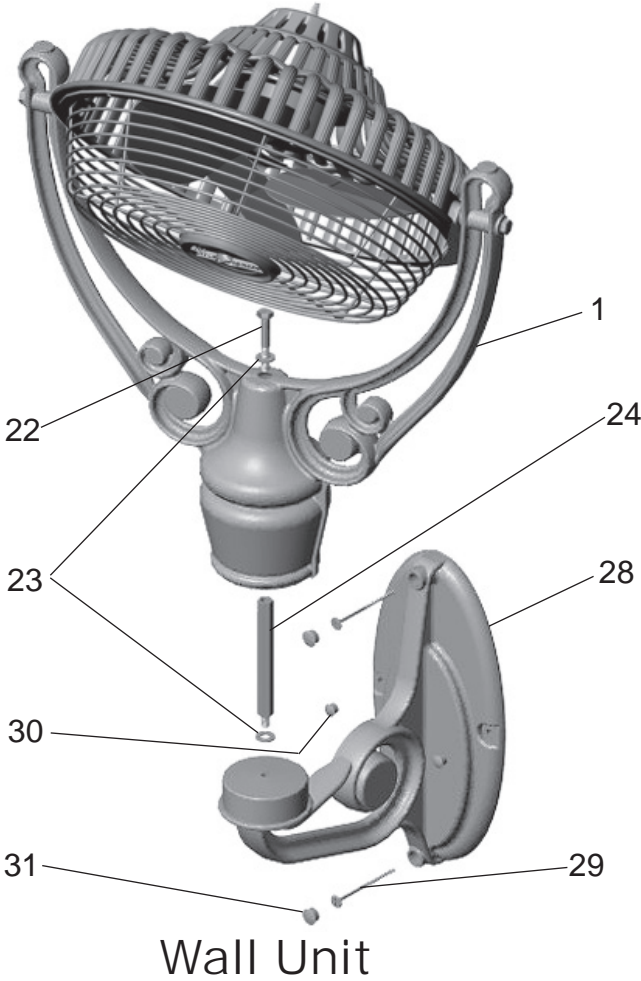
Floor/Desk Unit

MOTOR ASSEMBLY MODEL # FPH210__		
Item #	Description	Part #
1	Motor Assembly	FPH210__
PEDESTAL ACCESSORY MODEL # FPH21__		
Item #	Description	Part #
26	Floor Base	PHFB
27	Pedestal Column (optional)	PHPC
Standard Hardware Bag		PHSHB
22	5/16"-18 x 2½" Bolt	
23	5/16" Flat Washers (3)	
24	Special Hex Bolt	
25	5/16"-18 x 1½" Bolt	



Pedestal Unit

MOTOR ASSEMBLY MODEL # FPH210__		
Item #	Description	Part #
1	Motor Assembly	FPH210__
WALL MOUNT ACCESSORY MODEL # FPH61__		
Item #	Description	Part #
28	Wall Bracket	PHWB
Standard Hardware Bag		
22	5/16"-18 x 2 1/2" Bolt	PHSHB
23	5/16" Flat Washers (3)	
24	Special Hex Bolt	
25	5/16"-18 x 1 1/2" Bolt (for use with Pedestal Accessory only)	
Wall Unit Hardware Bag		
29	#12 x 3" Wood Screw (2)	PHWUHB
30	5/16" Plastic Cap (2)	
31	1/2" Plastic Cap (2)	



---

## Changing the Motor Assembly Position

These instructions apply to all four fan models.

1. Loosen 5/16-18 x 2½" bolt (Item #22) on Motor Assembly. Position Motor Assembly to desired position and retighten bolt (Fig. 27)

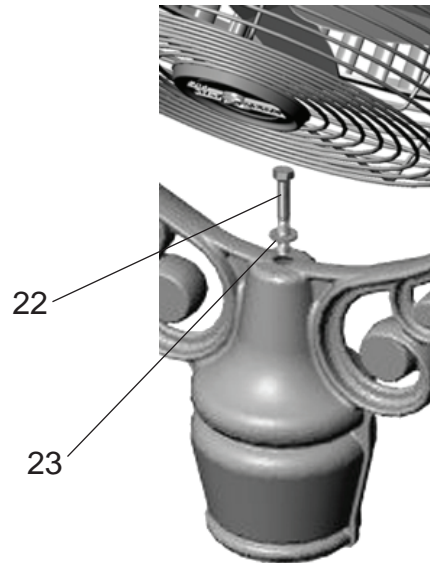


Fig. 27

2. The fans will not oscillate. To swivel the direction of the Motor Assembly follow the instructions below.

3. Position fan grill to desired position by hand. Fan position is limited to 30° forward tilt and 90° backward tilt (Fig. 28). Loosen side bolts on Motor Assembly. Position Motor Assembly to desired position and retighten bolts.

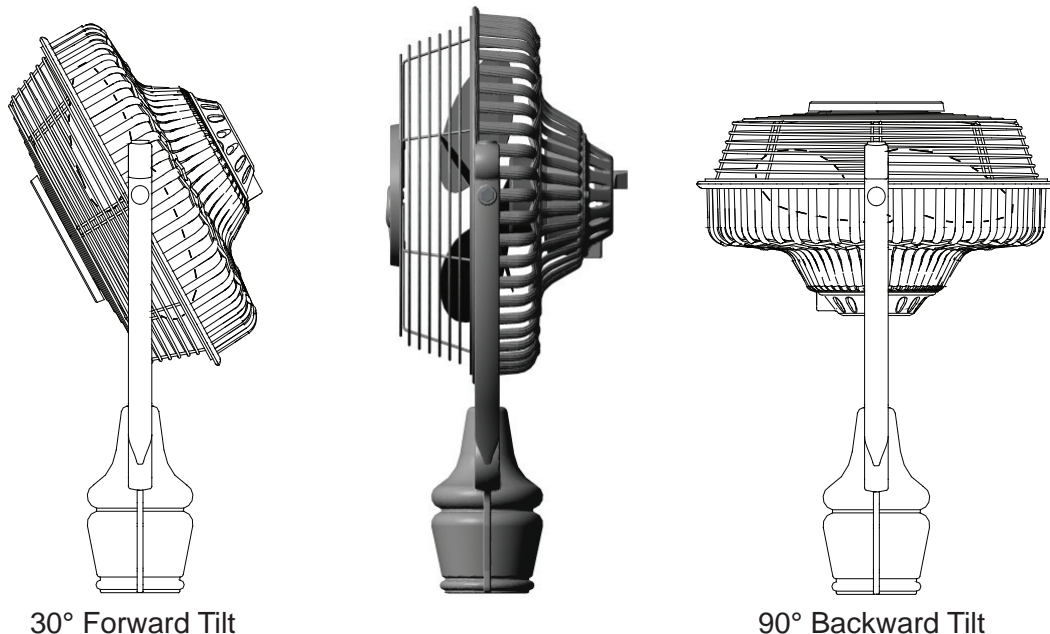


Fig. 28



10983 Bennett Parkway  
Zionsville, IN 46077  
(888) 567-2055

FAX (866) 482-5215

Outside U.S. call (317) 733-4113

Visit Our Website @ [www.fanimation.com](http://www.fanimation.com)